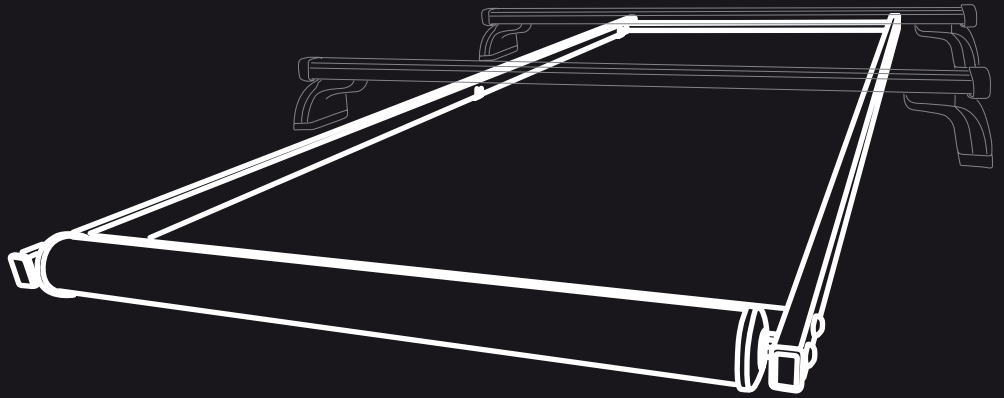
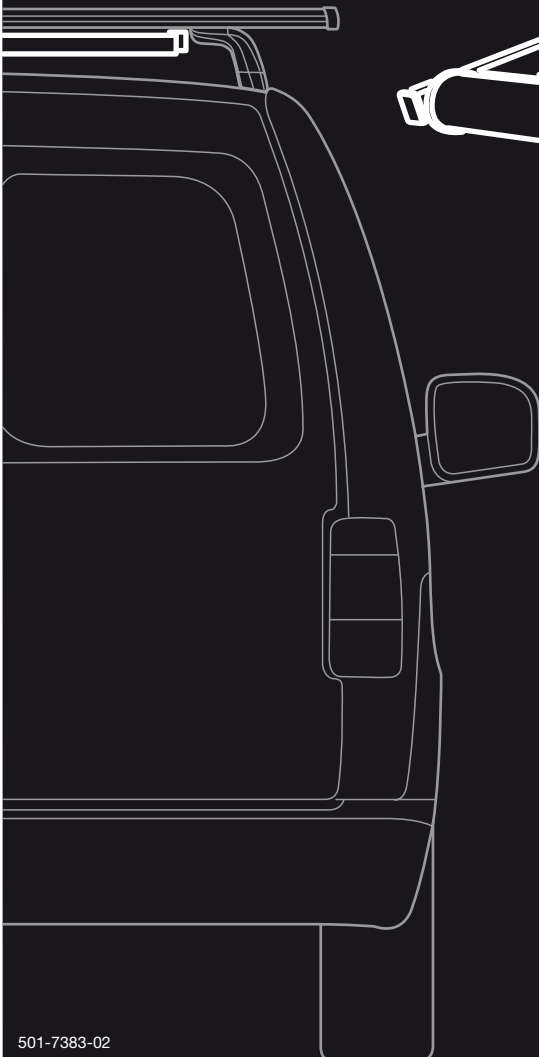
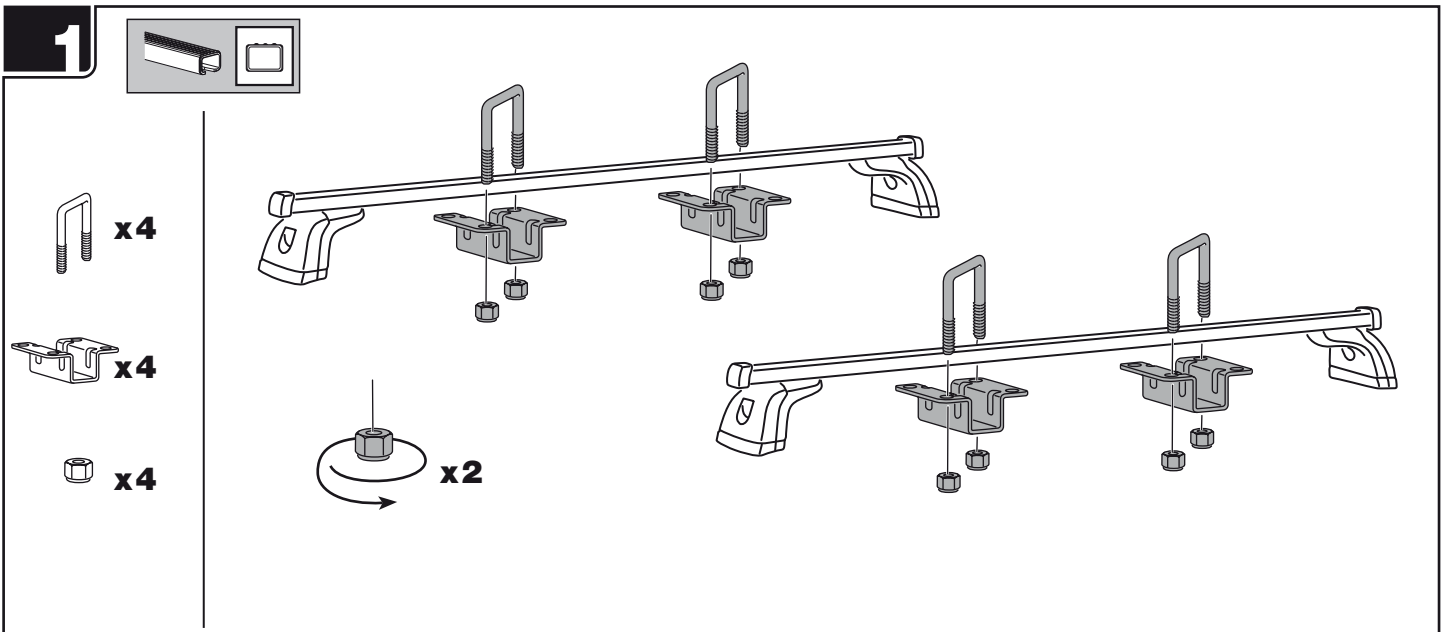
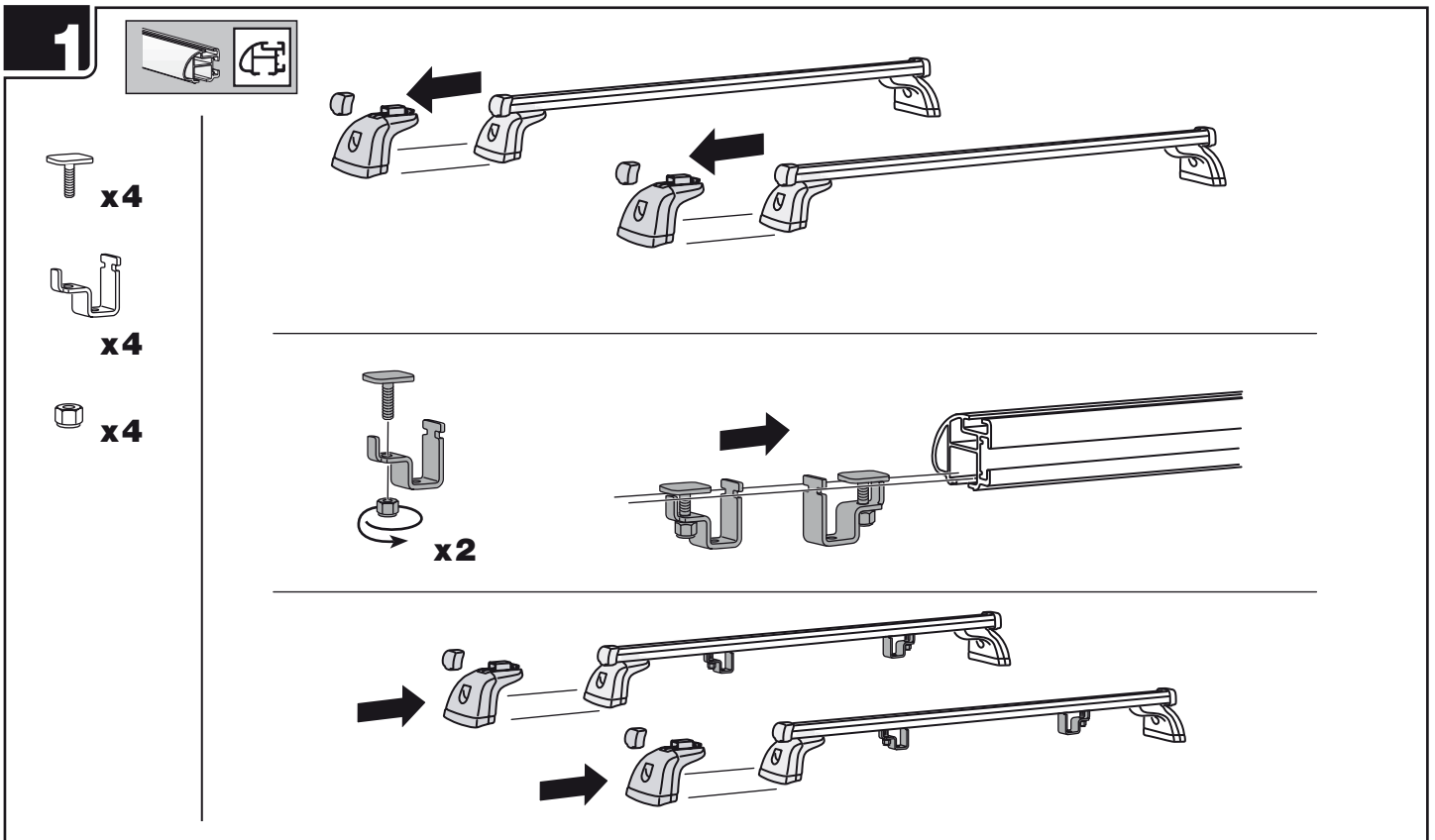
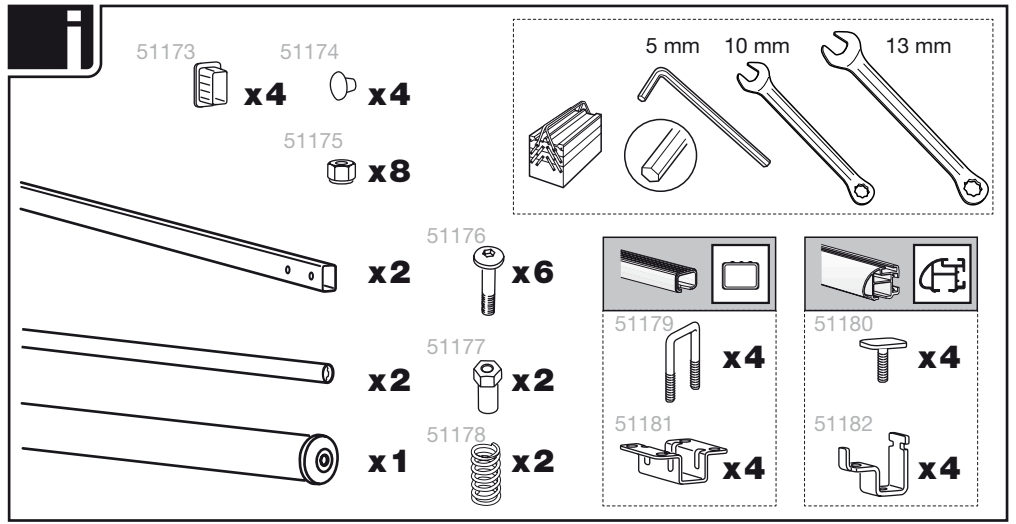


# Roller Extension

## 340



**THULE**<sup>®</sup>  
SWEDEN  
**PROFESSIONAL**



**2**



**x4**

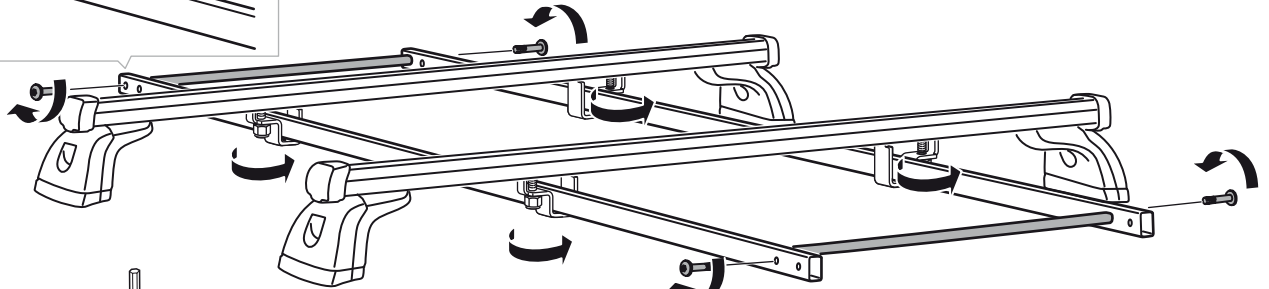
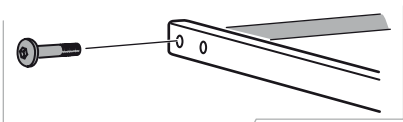
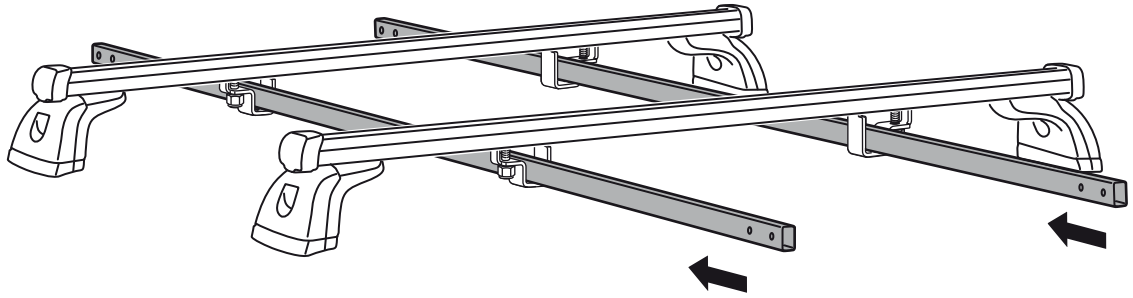
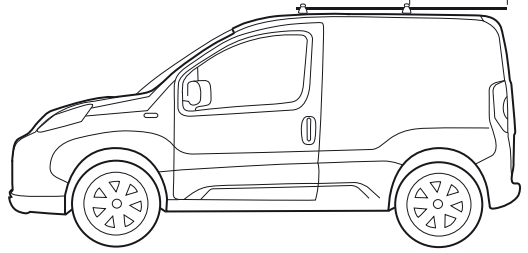


**x2**

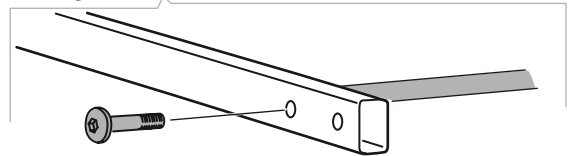
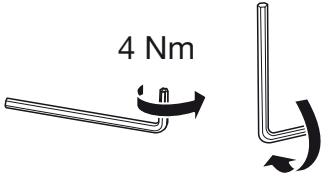


**x2**

MAX  
1000 mm



4 Nm



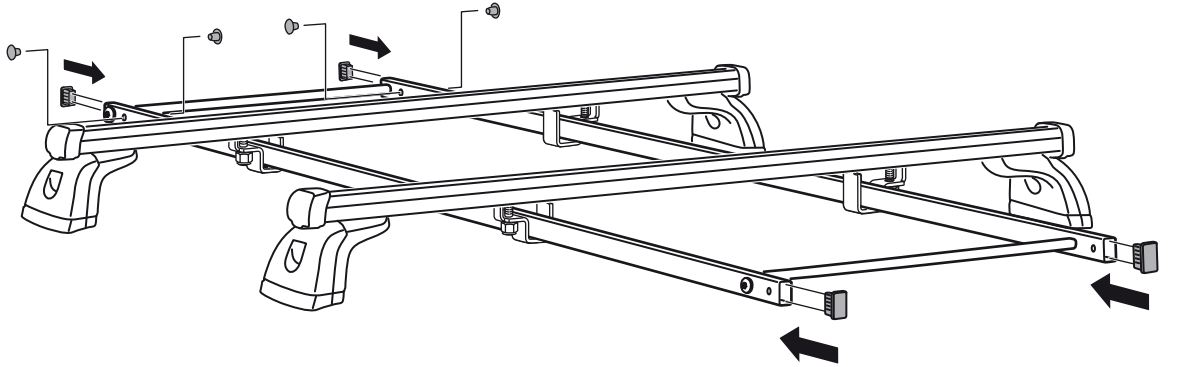
**3**



**x4**



**x4**



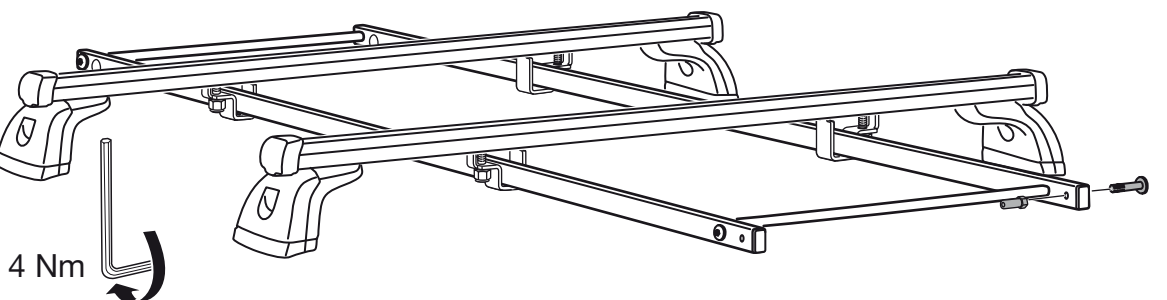
**4**



**x1**



**x1**



4 Nm

