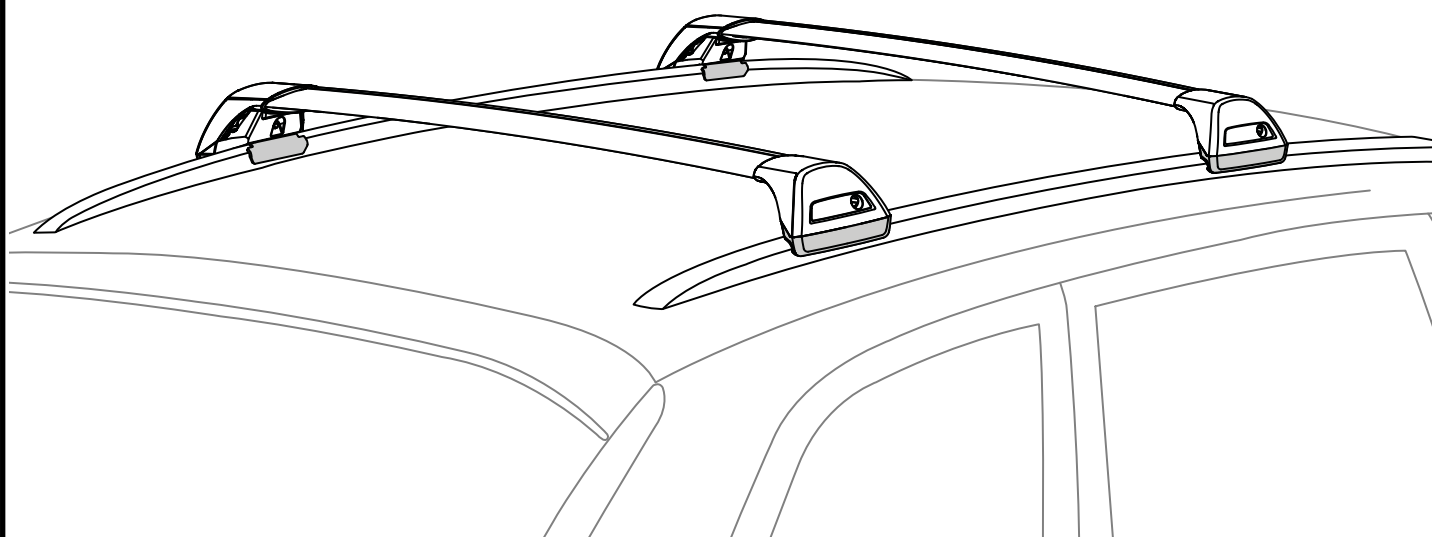



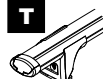
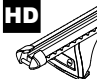



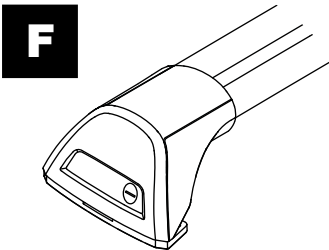
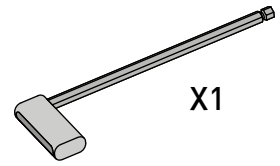
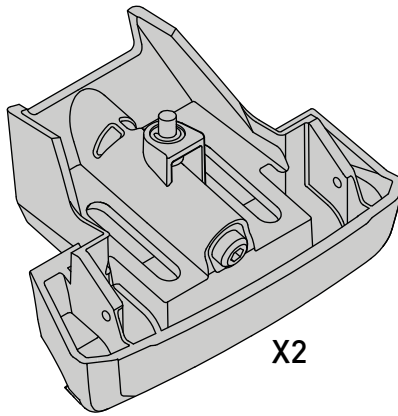
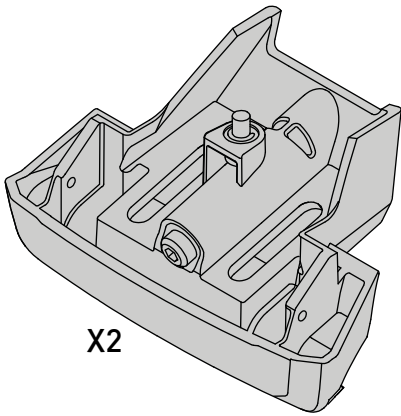
# K667

# Fitting Kit

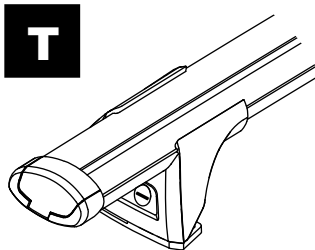


MAX kg (lb)			
		   	
Peugeot 508 EW Jun 2011+	NZ		75 kg (165 lb)
Peugeot 508 EW 2011+	EU		75 kg (165 lb)
Peugeot 508 EW Jul 2011+	AU		75 kg (165 lb)
Peugeot 508 SW 5dr Estate 2011+	NZ, EU		75 kg (165 lb)
Peugeot 508 Touring 5dr Estate 2011+	AU		75 kg (165 lb)

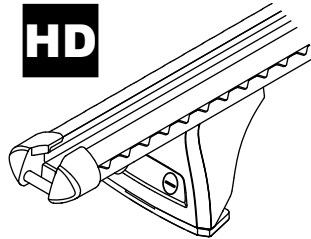
**CONTENTS • CONTENUTO • CONTENIDO • INHALT • CONTENUTI**



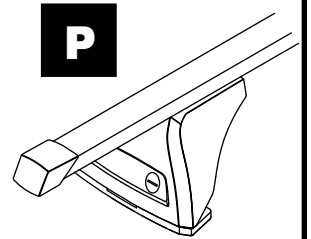
Flush Bar (F)



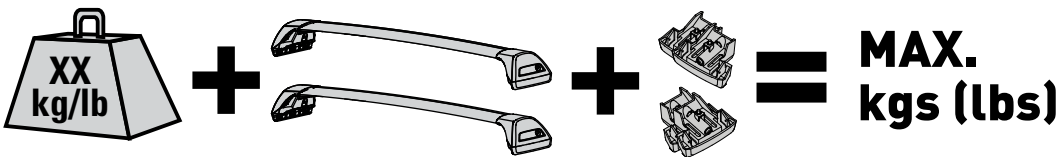
Through Bar (T)



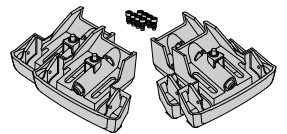
Heavy Duty Bar (HD)



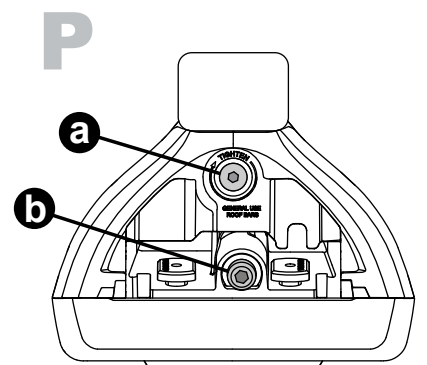
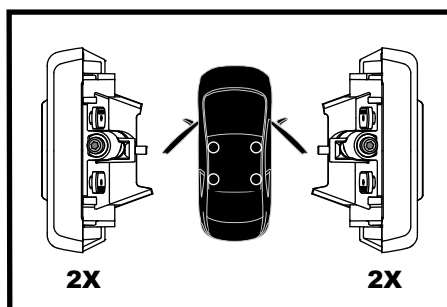
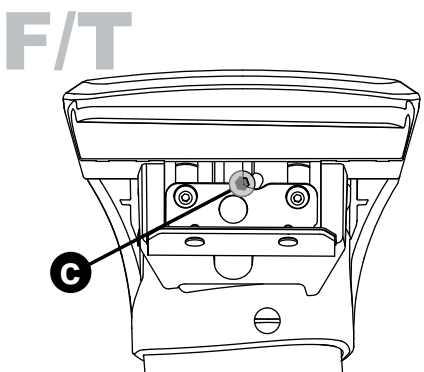
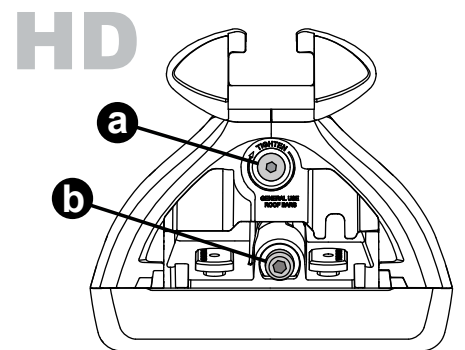
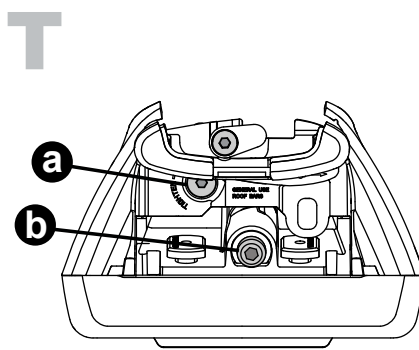
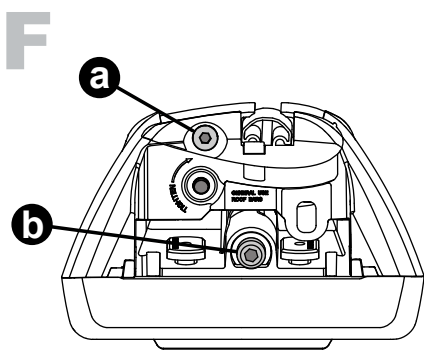
Square Bar/P-Bar (P)

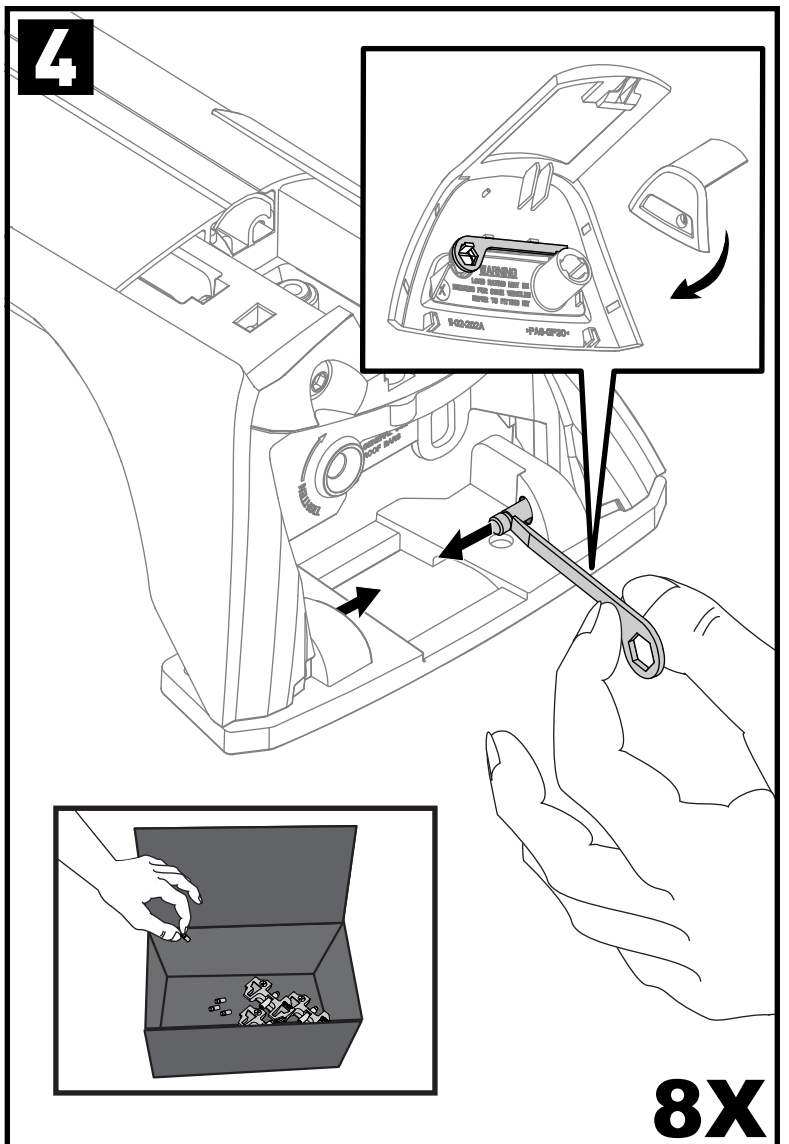
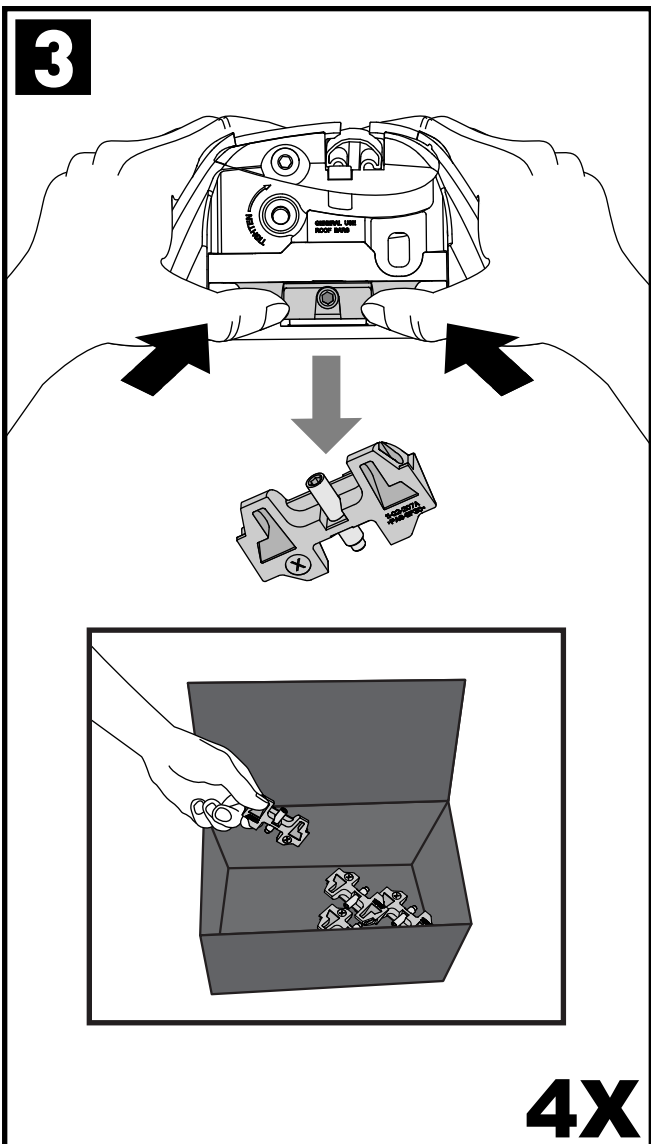
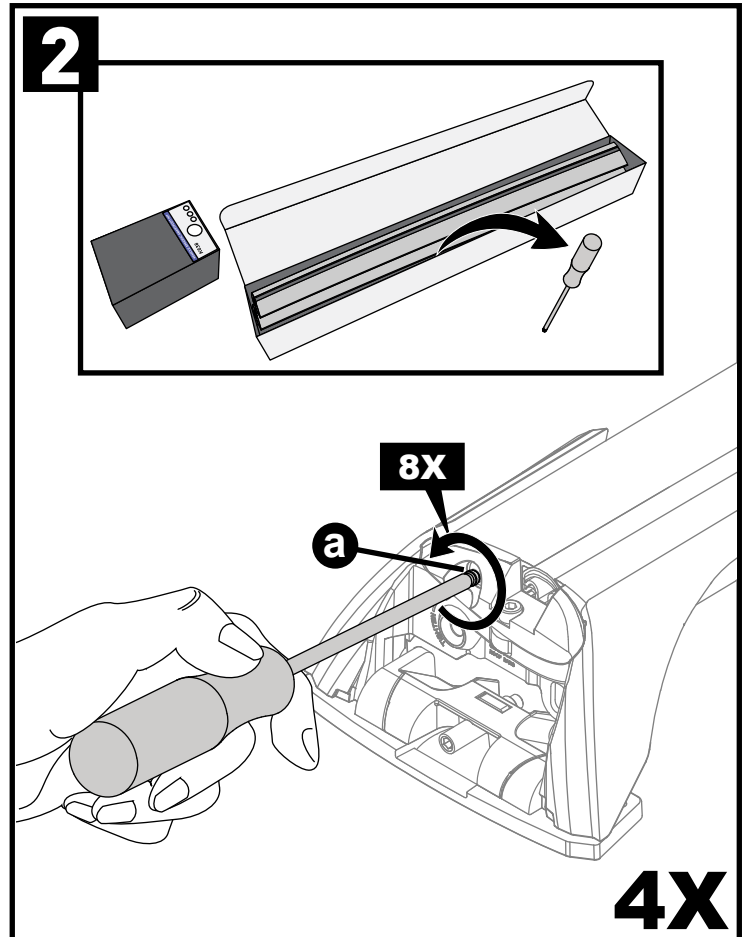
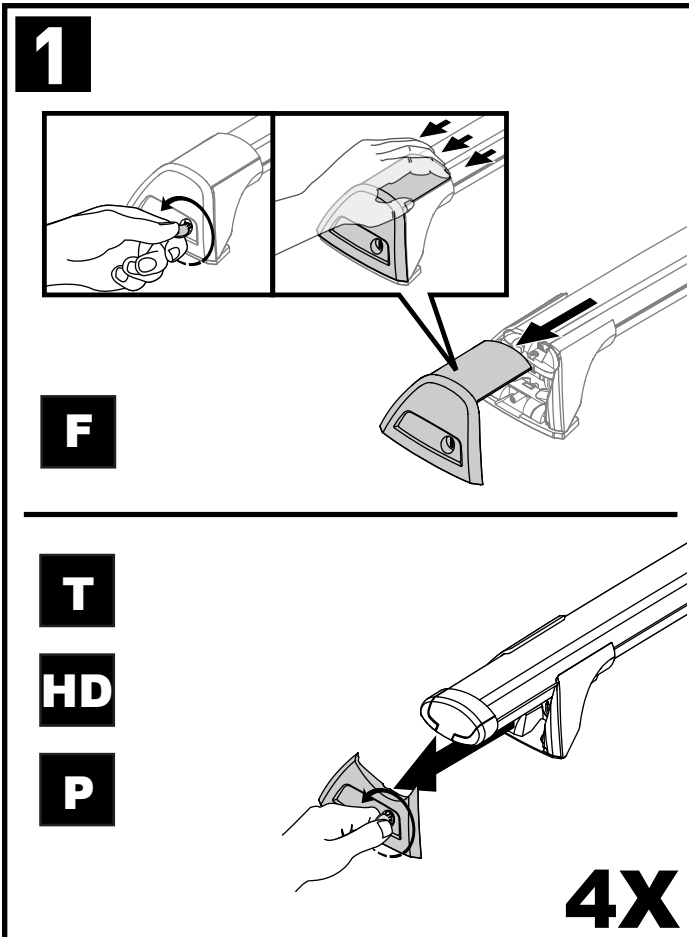


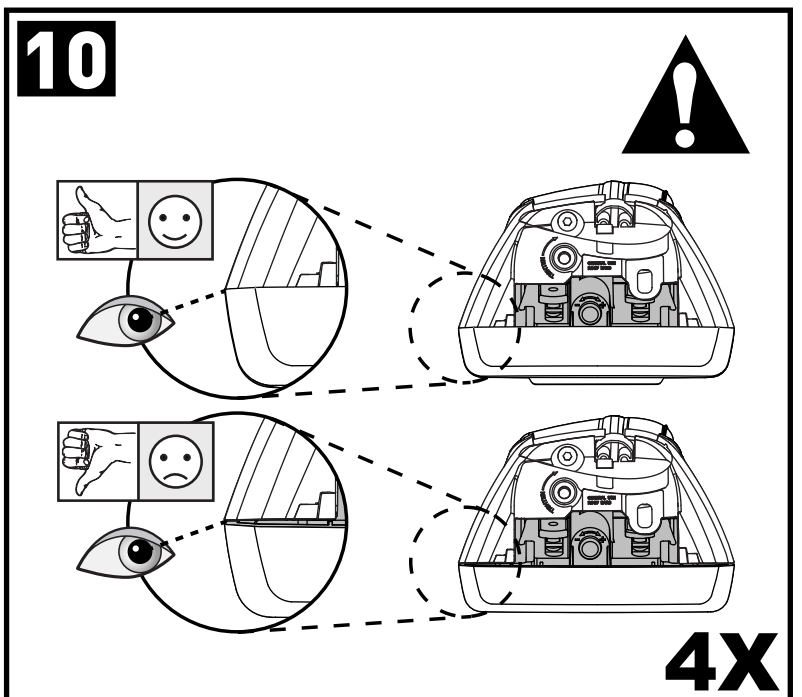
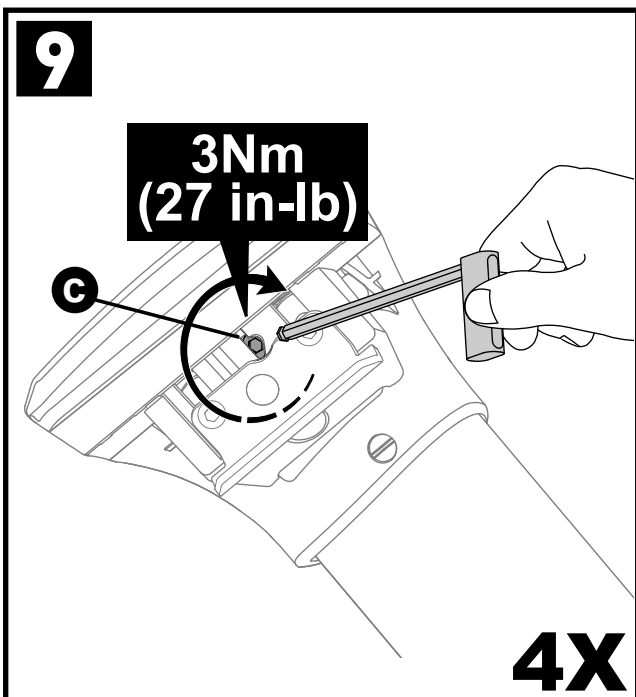
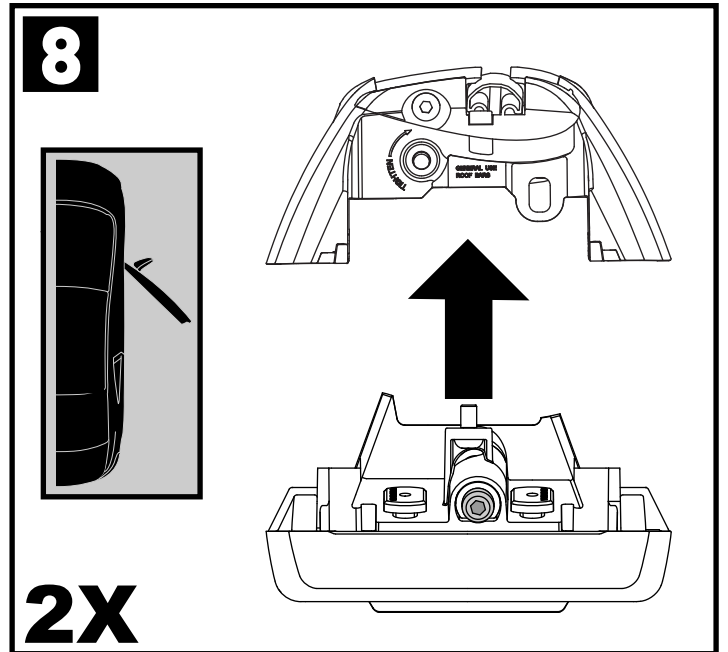
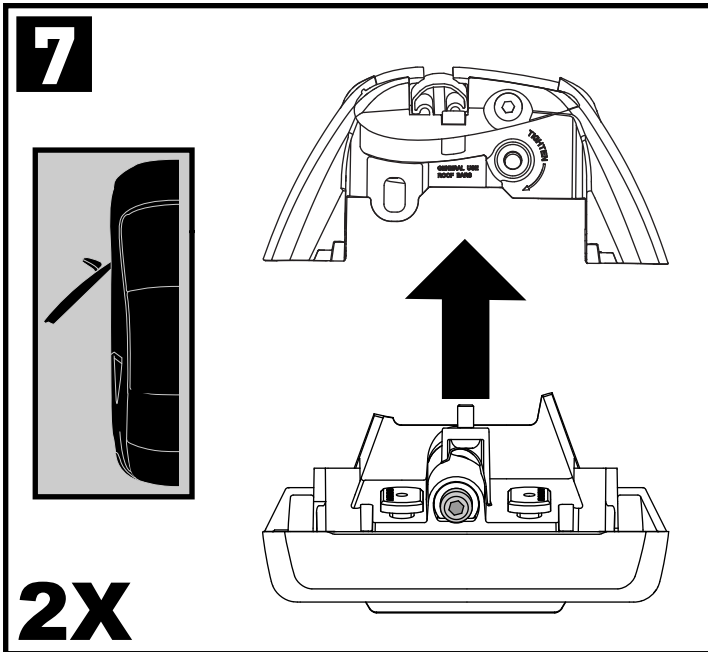
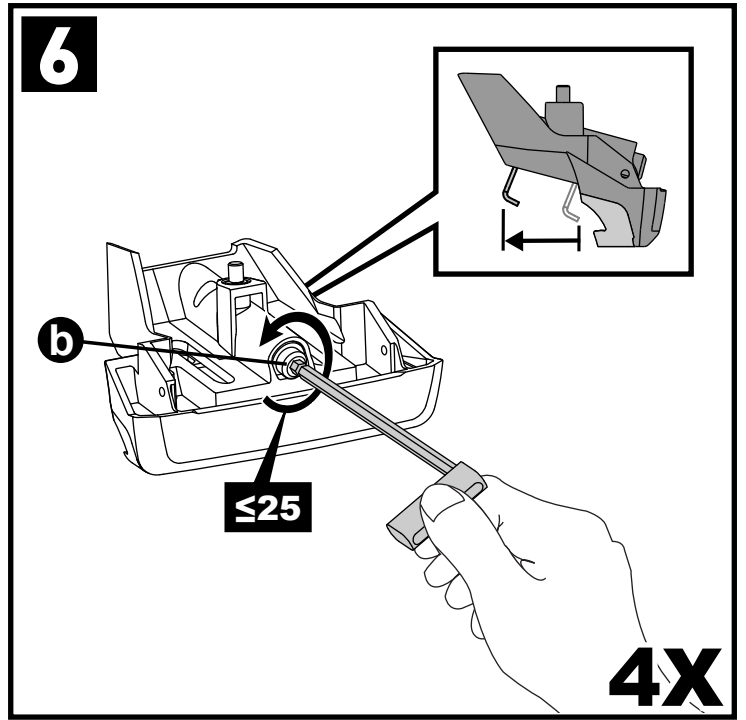
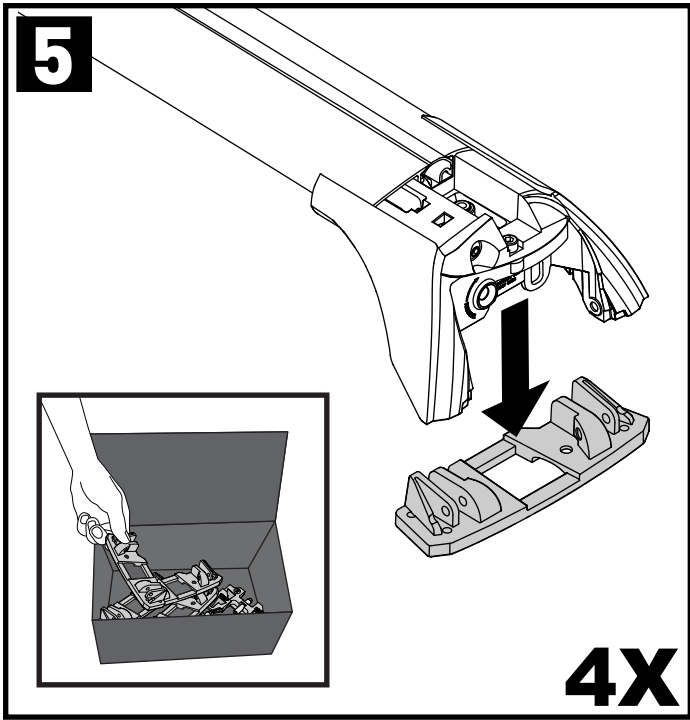
**K667**

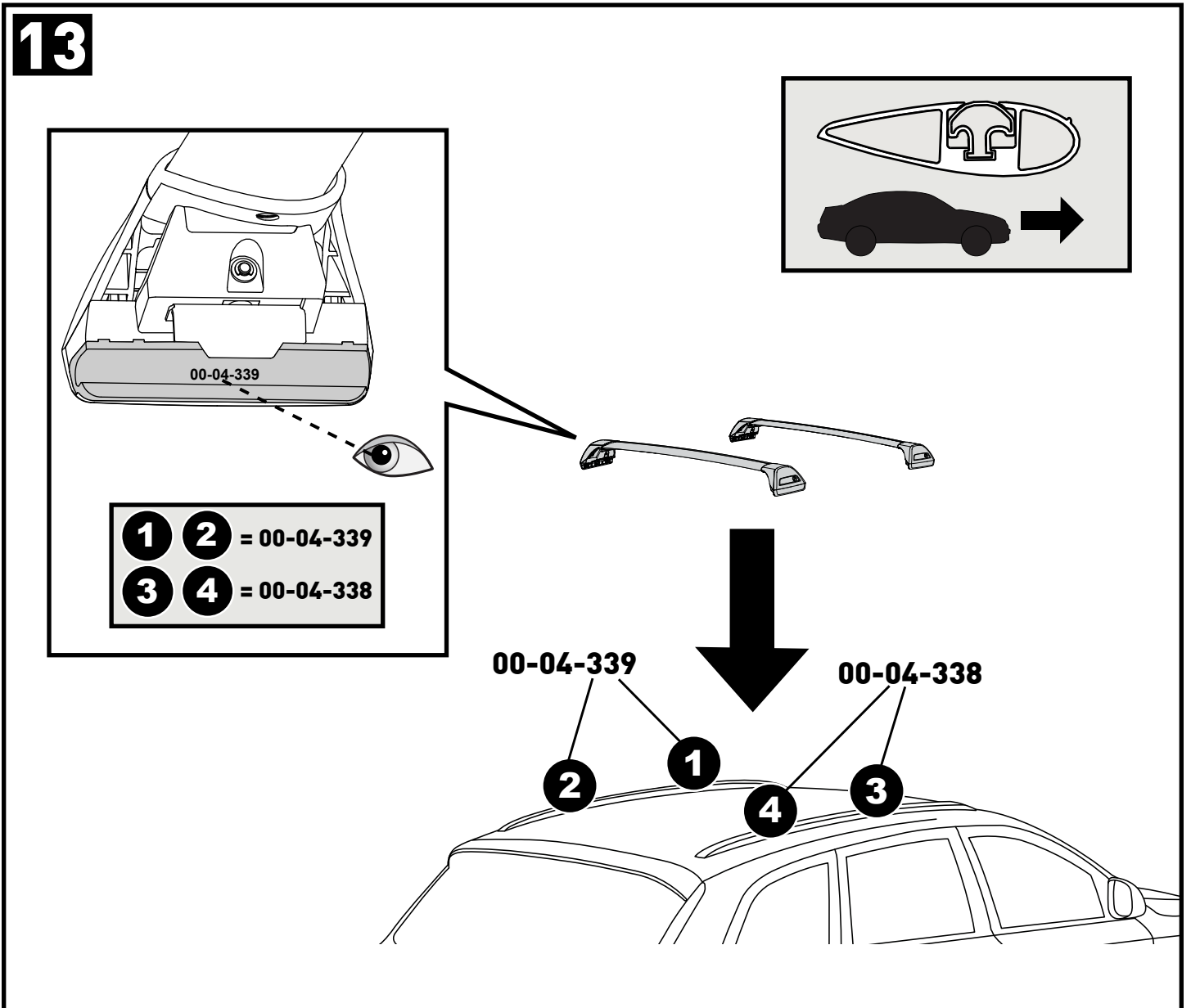
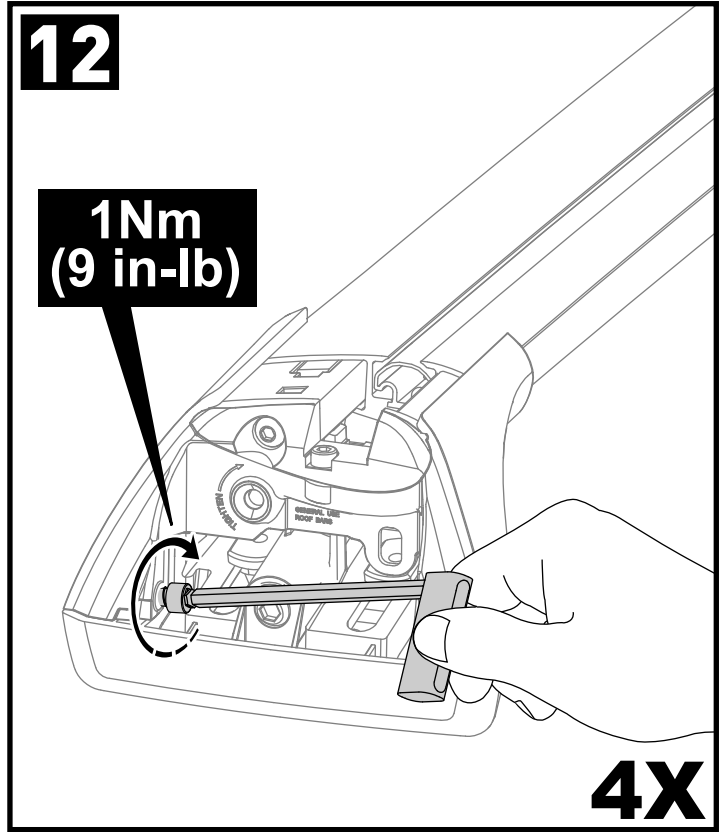
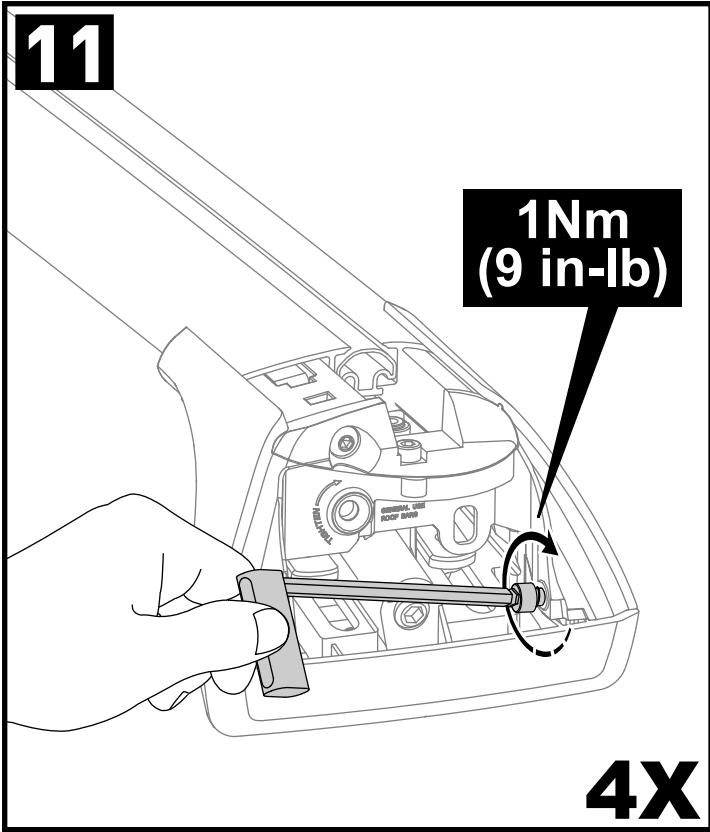


**1.1 kg (2.5 lbs.)**

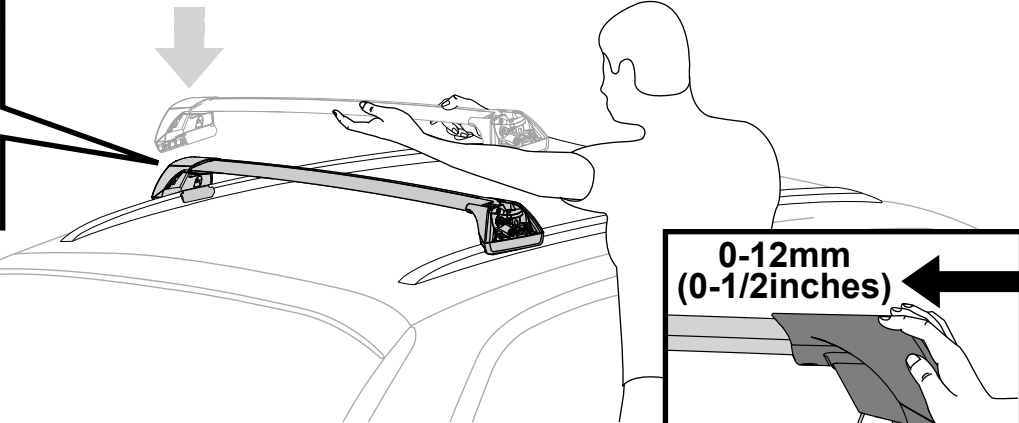
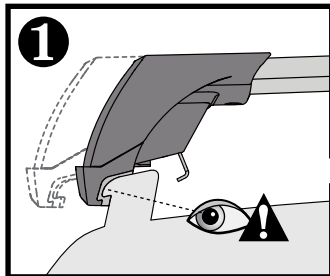
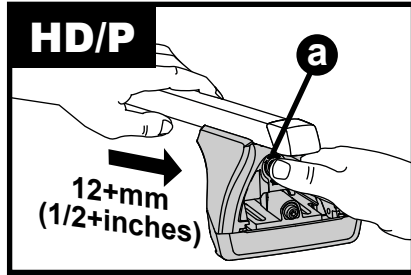
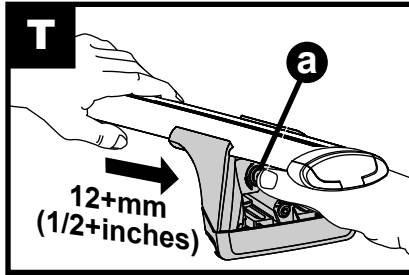
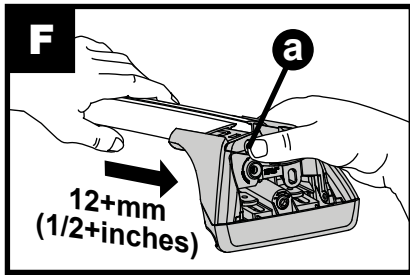






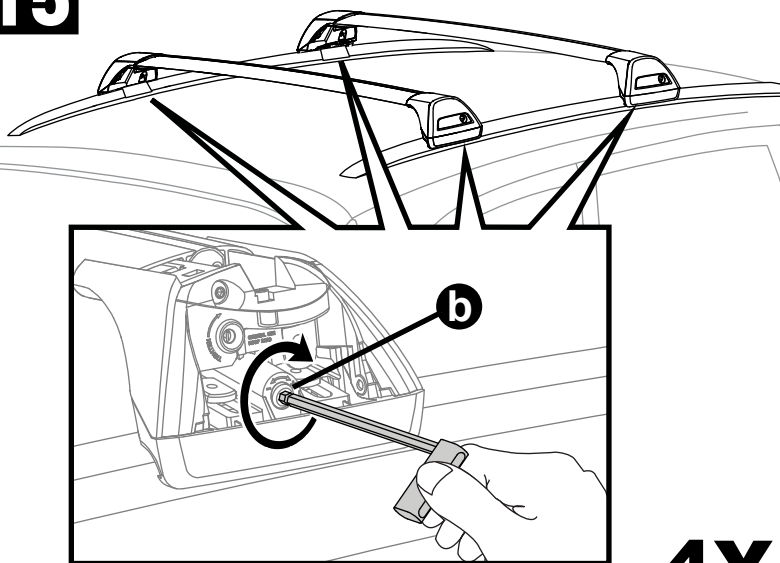


**14**

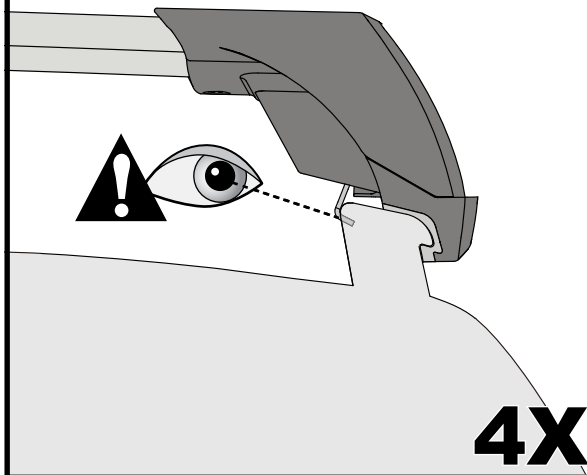


**2X**

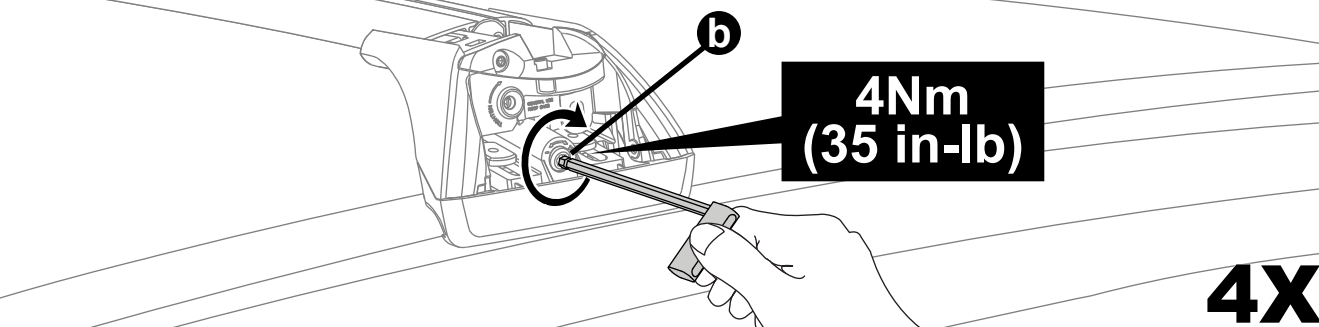
**15**



**16**



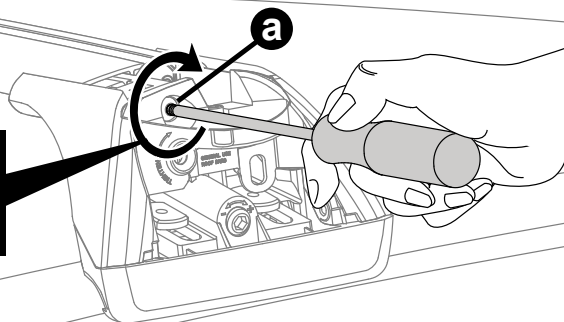
**17**



18



3Nm  
(27 in-lb)



4X

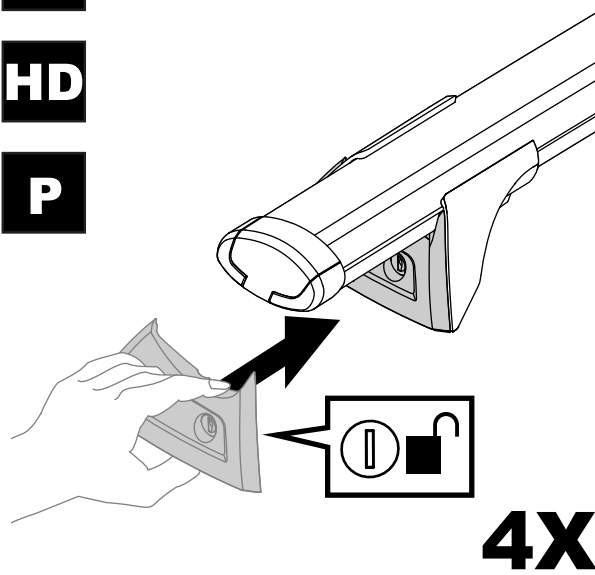
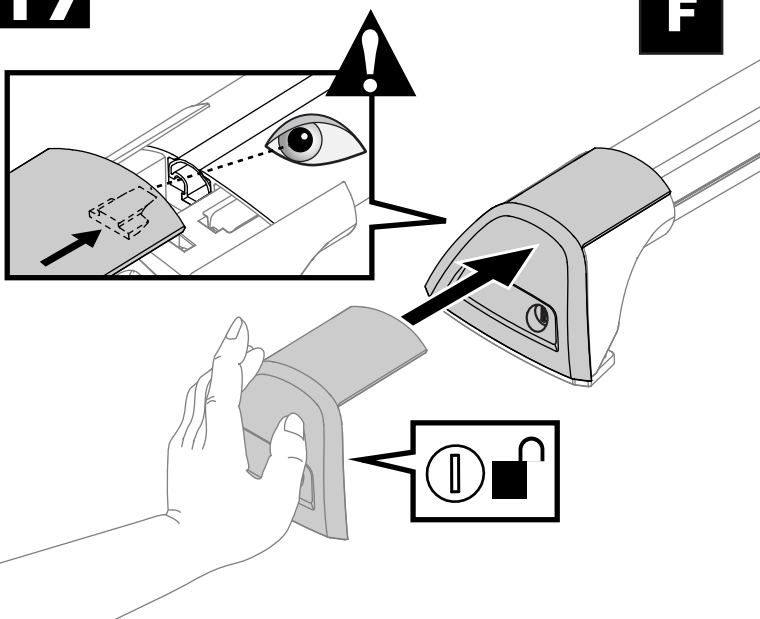
19

F

T

HD

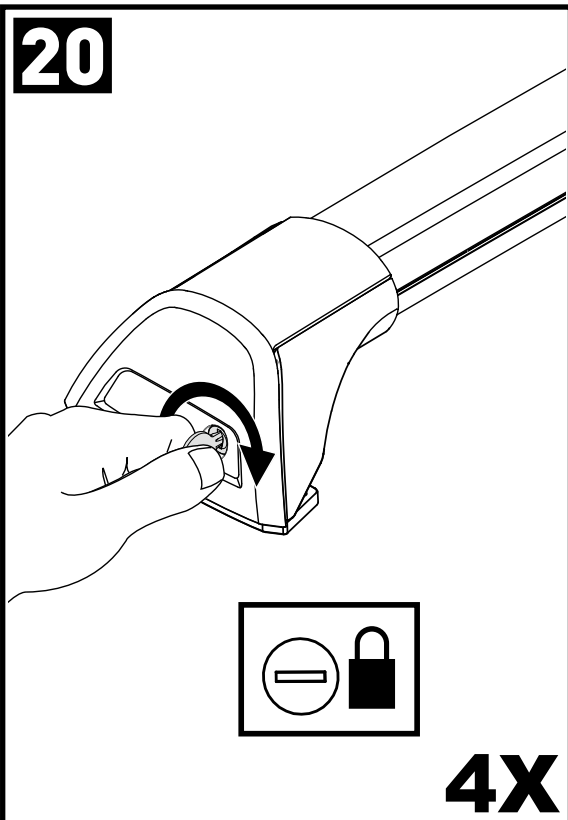
P



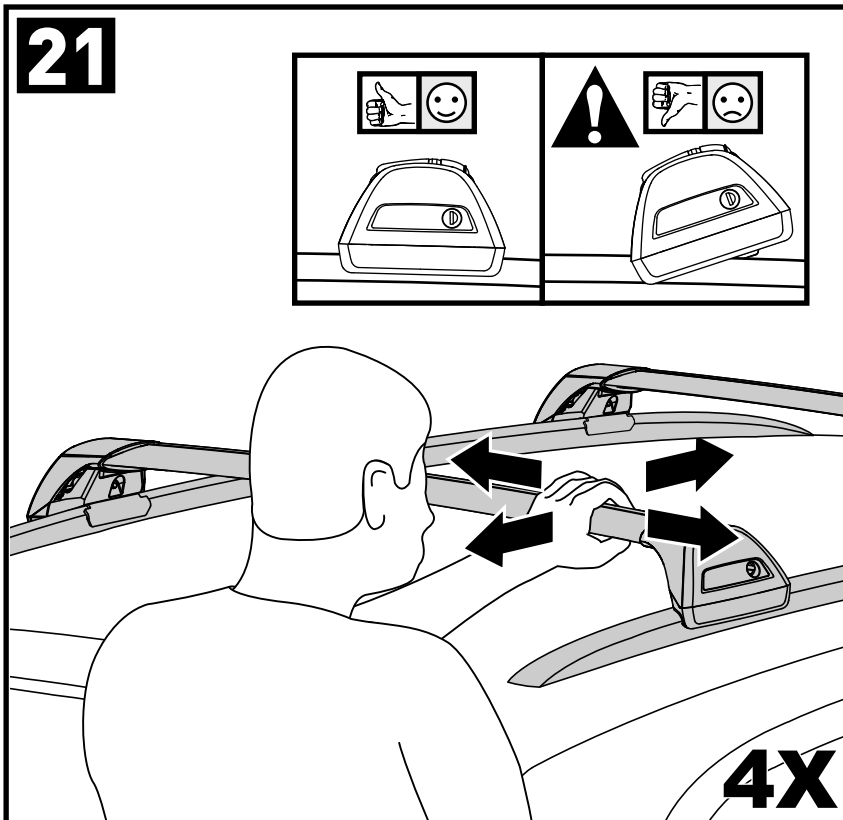
4X

20

21

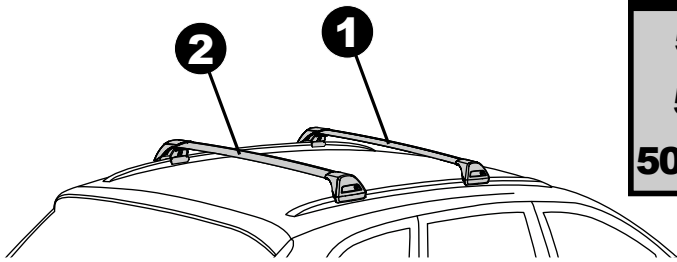


4X

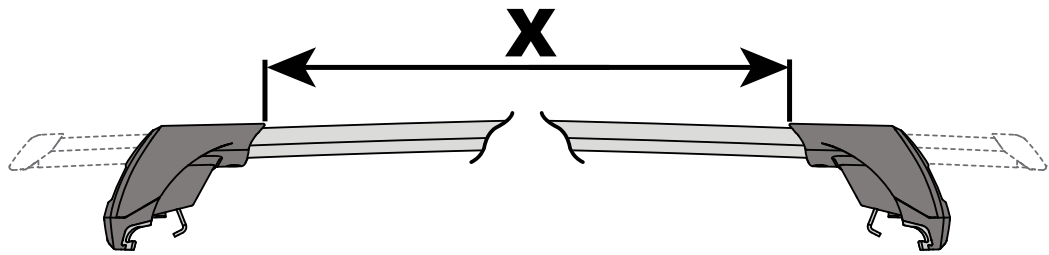


4X

<b>K667</b>	<b>X 1</b>	<b>X 2</b>
<b>508 EW</b>	875mm/34 7/16"	830mm/34 11/16"
<b>508 SW</b>	885mm/34 7/8"	825mm/32 1/2"
<b>508 Touring</b>	885mm/34 7/8"	825mm/32 1/2"

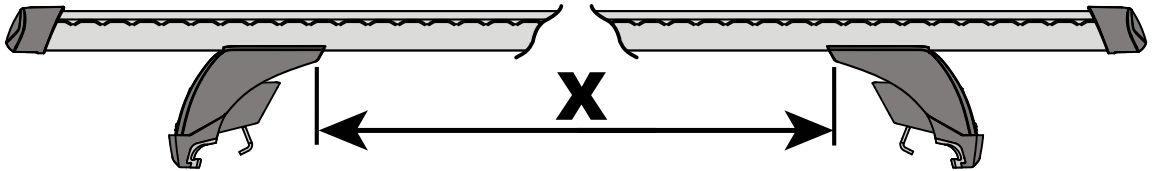


**F**

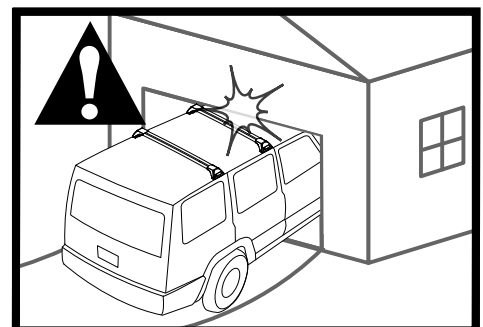
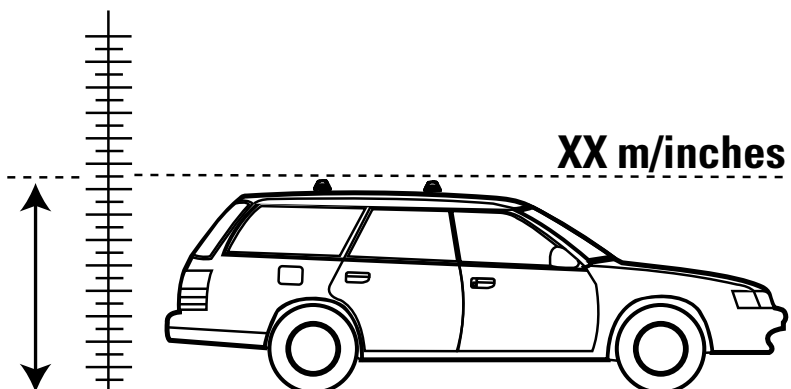
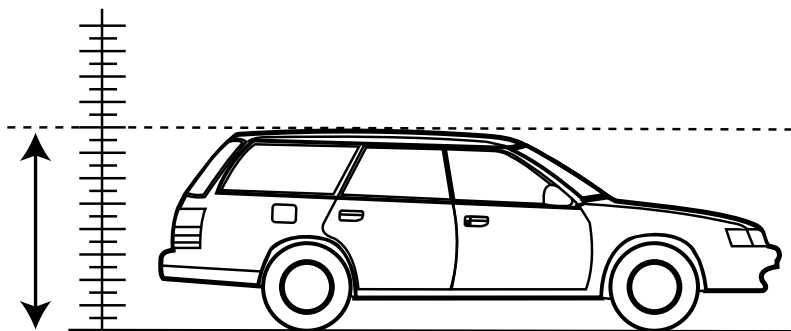
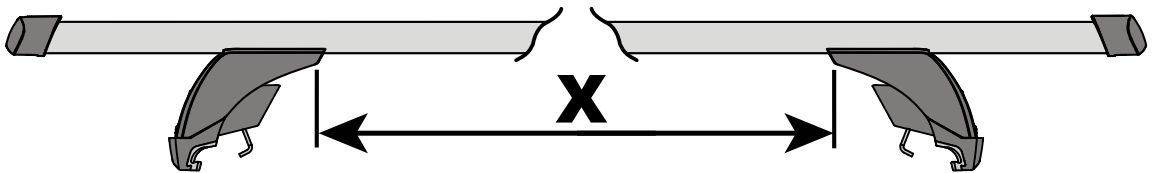


**T**

**HD**



**P**



**Record Height Here.  
Noter la hauteur ici.  
Escriba aquí la altura.  
Hier Größe eintragen.  
Annotate qui l'altezza.**