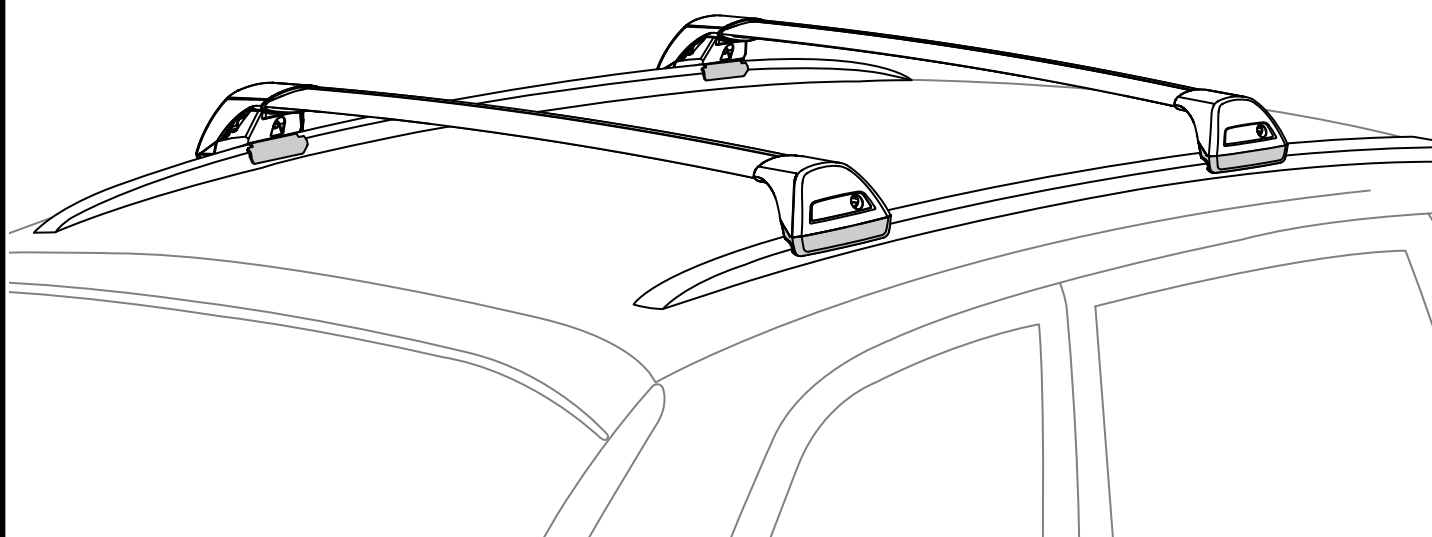


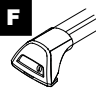
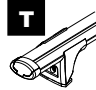
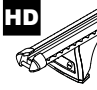



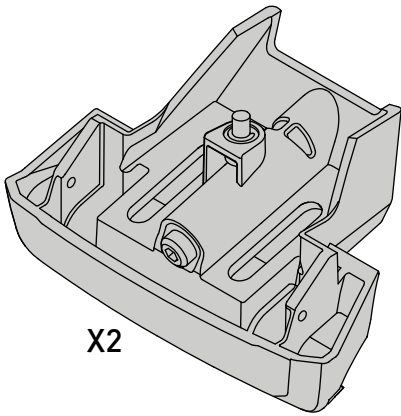
K670

Fitting Kit

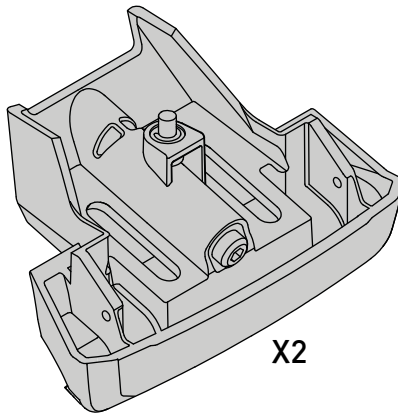


MAX kg (lb)			
		   	
BMW X3 (F25) 2011+	ZA, US		75 kg (165 lb)
BMW X3 (F25) Mar 2011+	AU, NZ		75 kg (165 lb)
BMW X3 (F25) 2010+	EU		75 kg (165 lb)
BMW X5 (F15) 2013+	AU, NZ, ZA		75 kg (165 lb)
BMW X5 (F15) 2014+	EU, US		75 kg (165 lb)

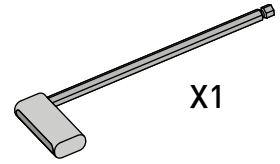
CONTENTS • CONTENUTO • CONTENIDO • INHALT • CONTENUTI



X2



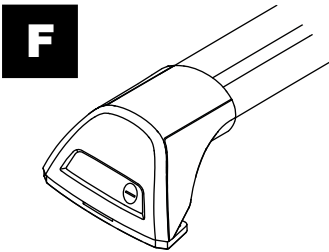
X2



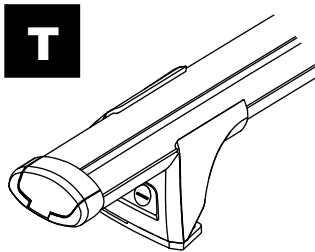
X1



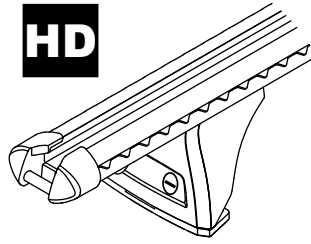
X8



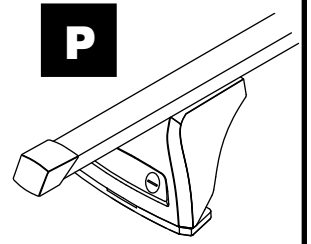
Flush Bar (F)



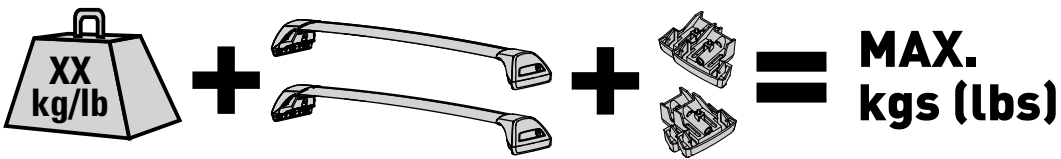
Through Bar (T)



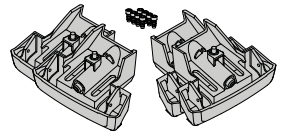
Heavy Duty Bar (HD)



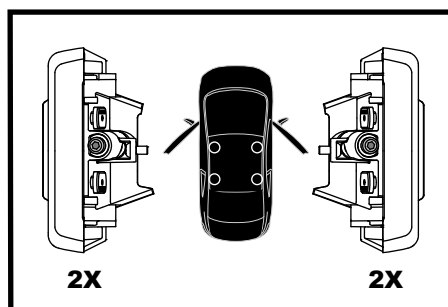
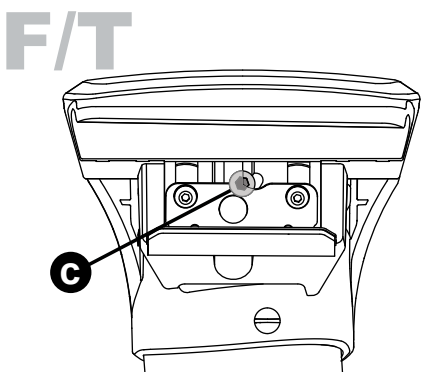
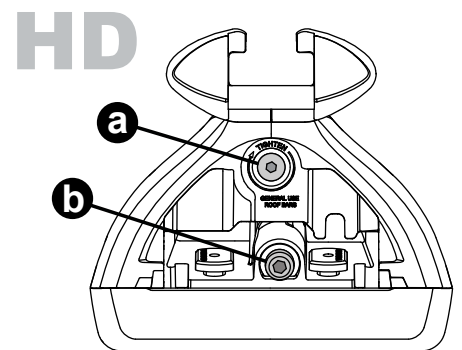
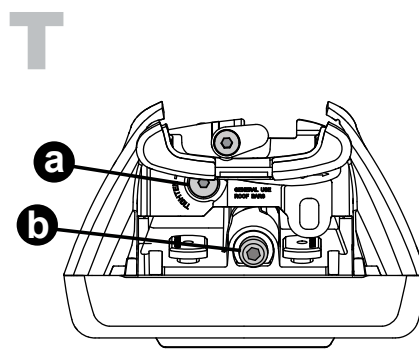
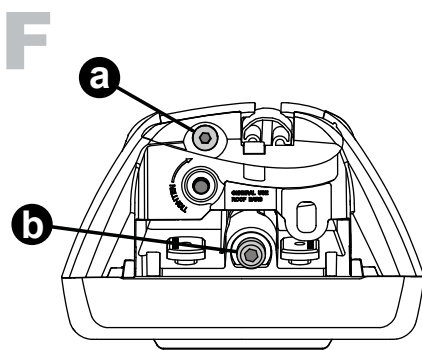
Square Bar/P-Bar (P)



K670

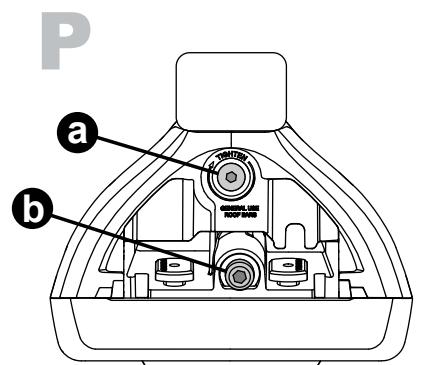


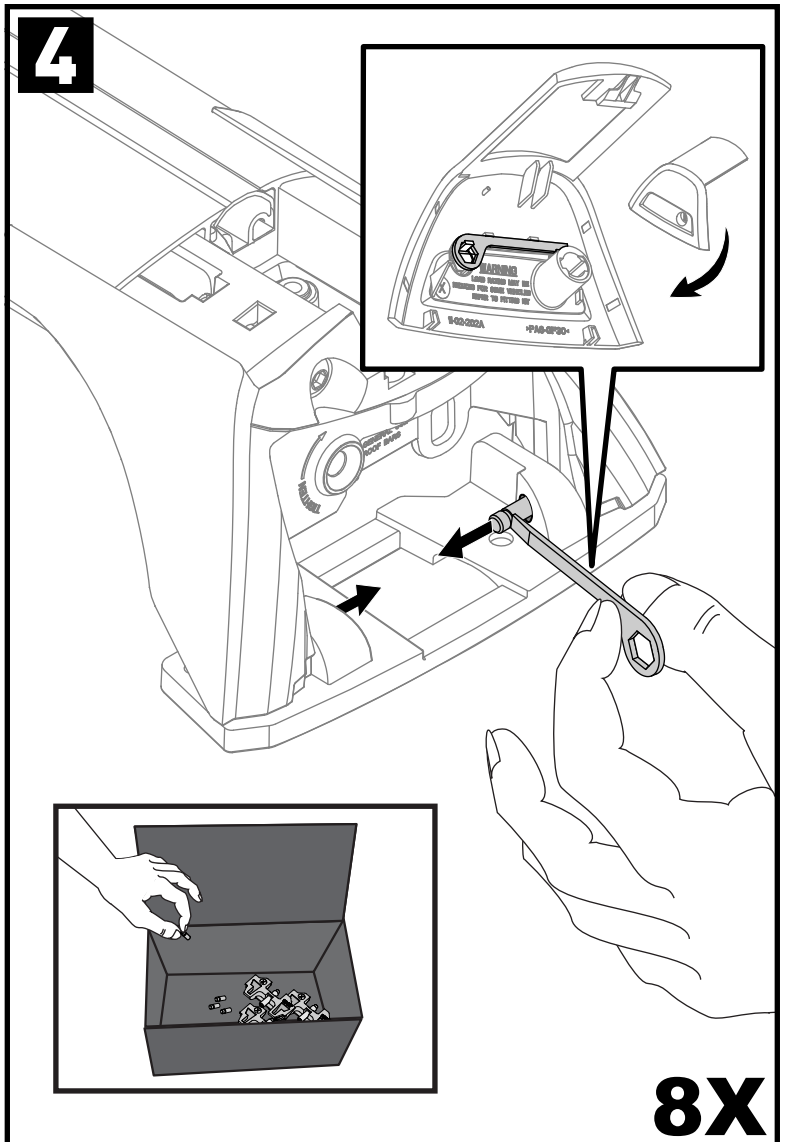
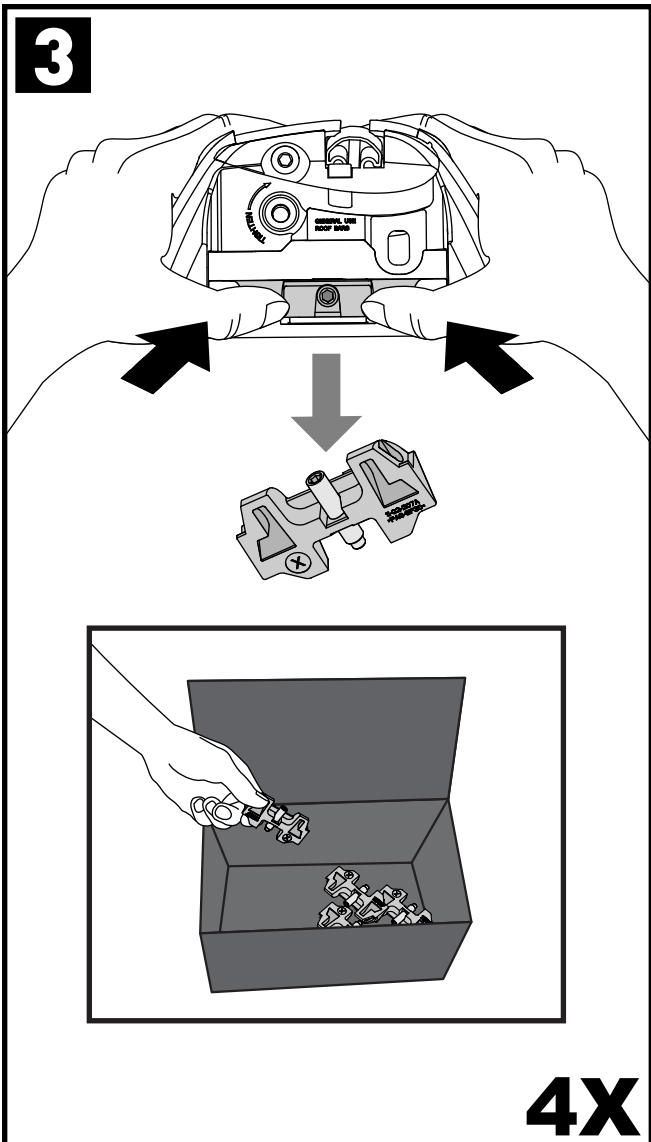
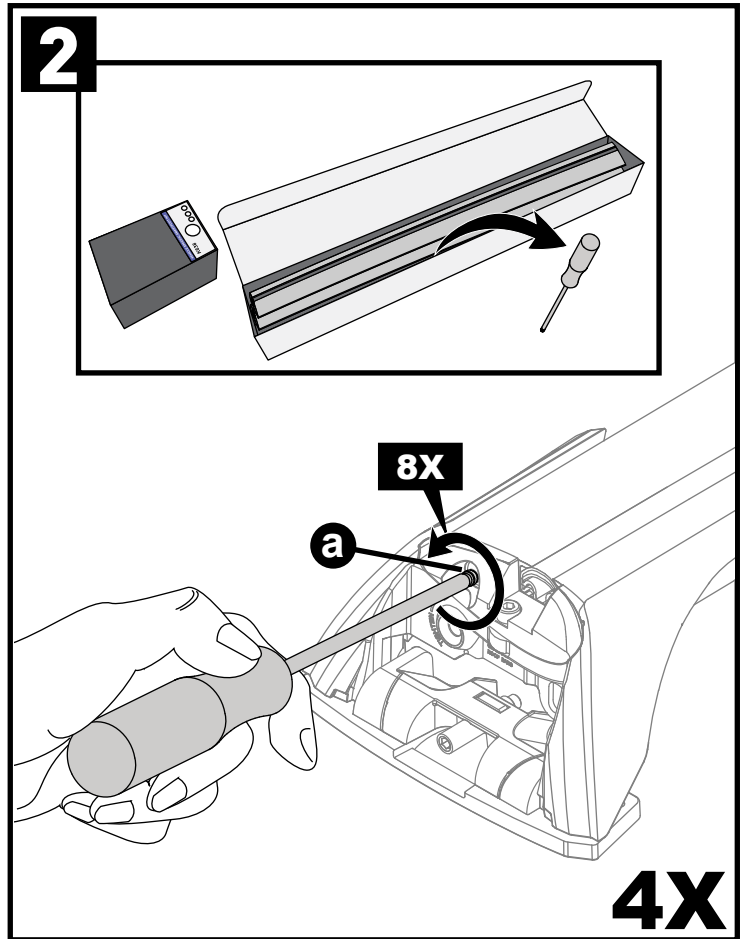
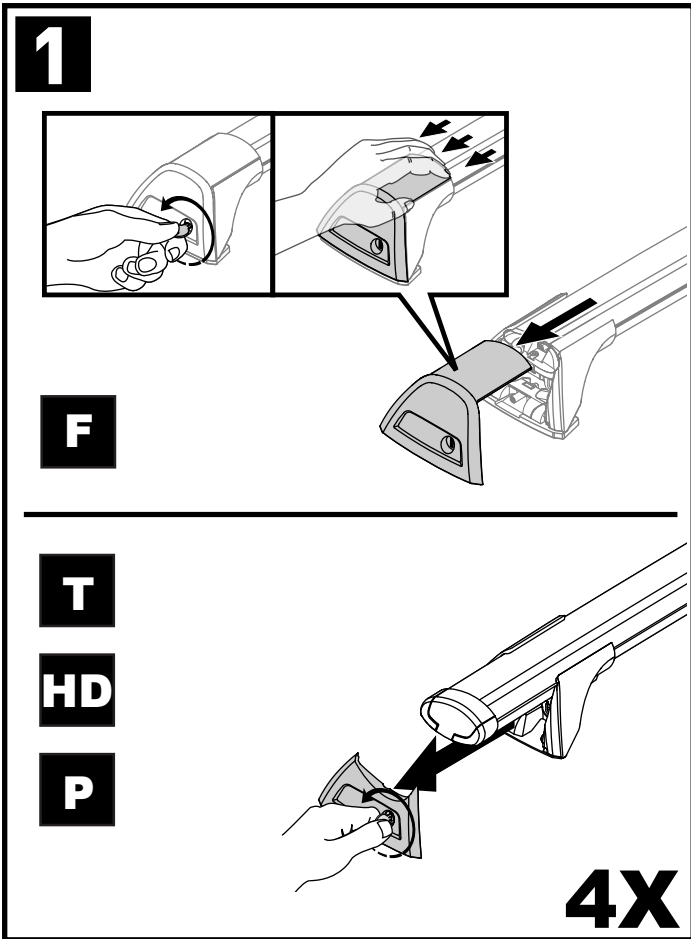
1.1 kg (2.5 lbs.)

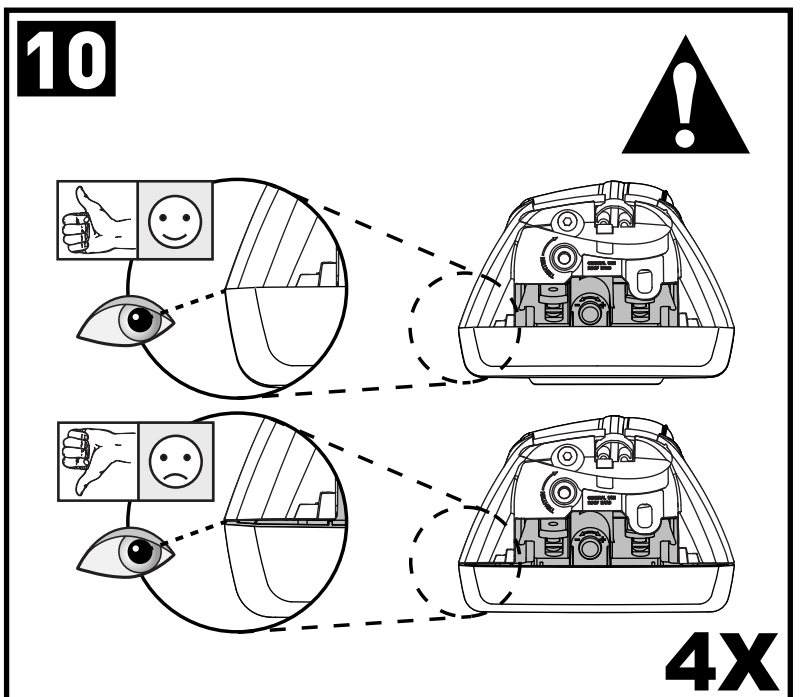
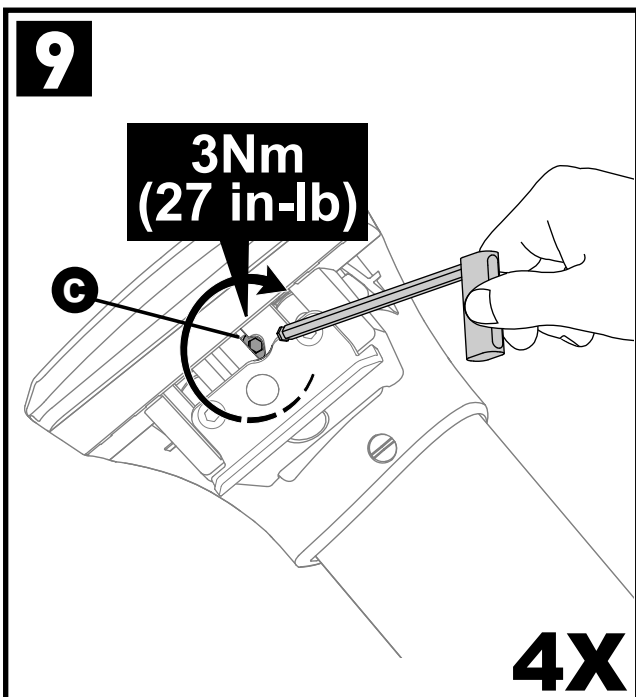
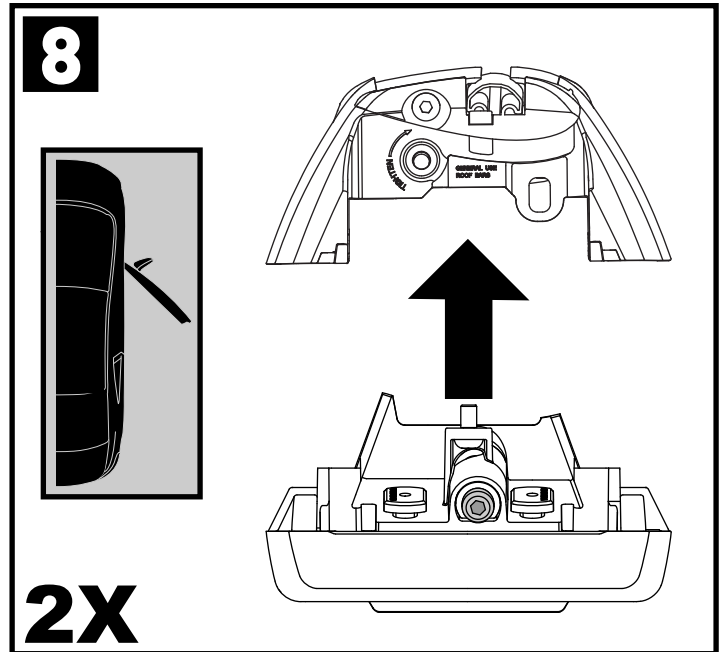
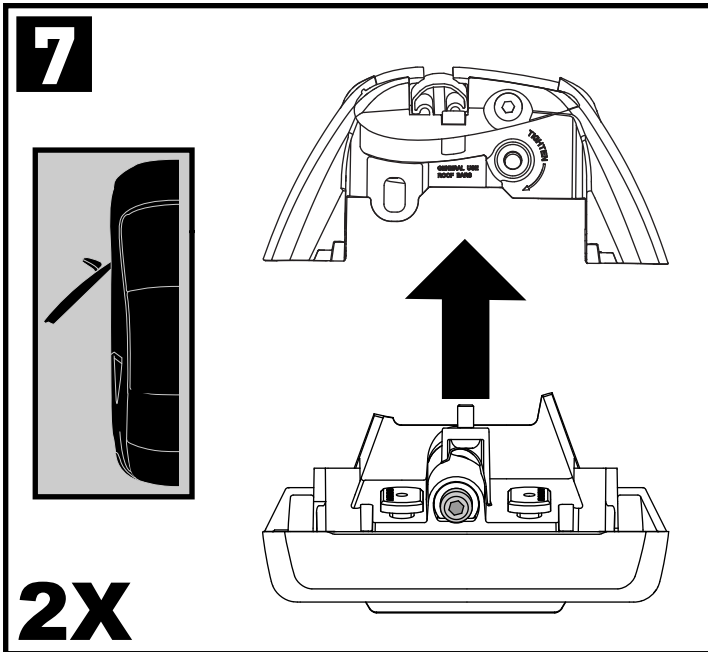
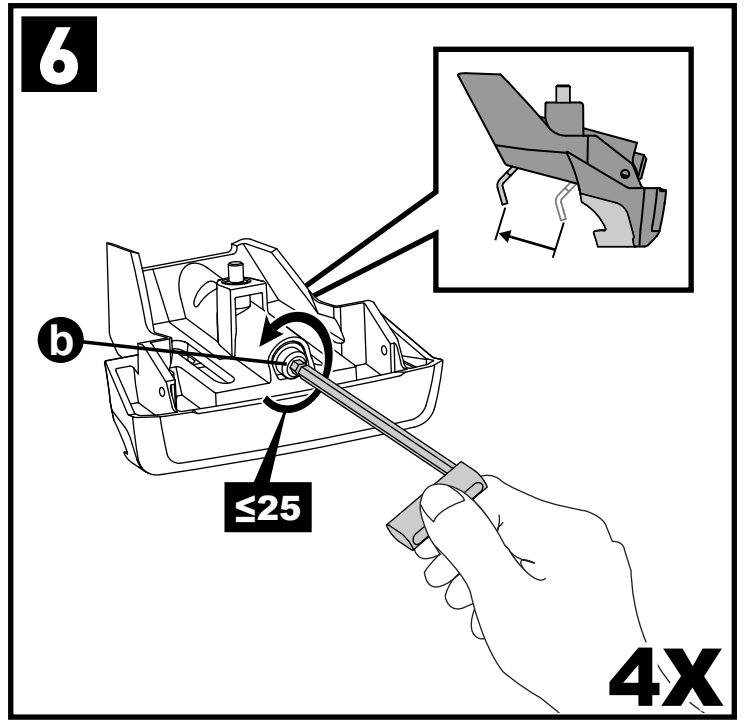
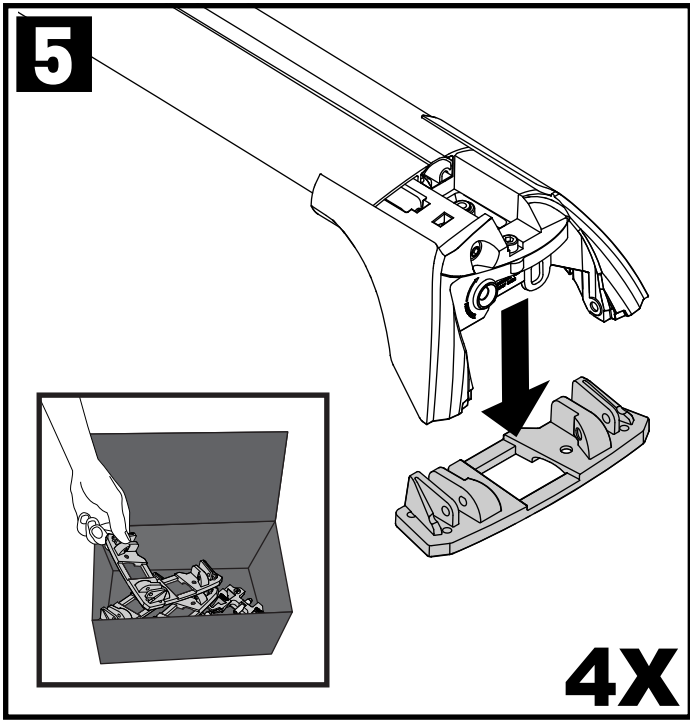


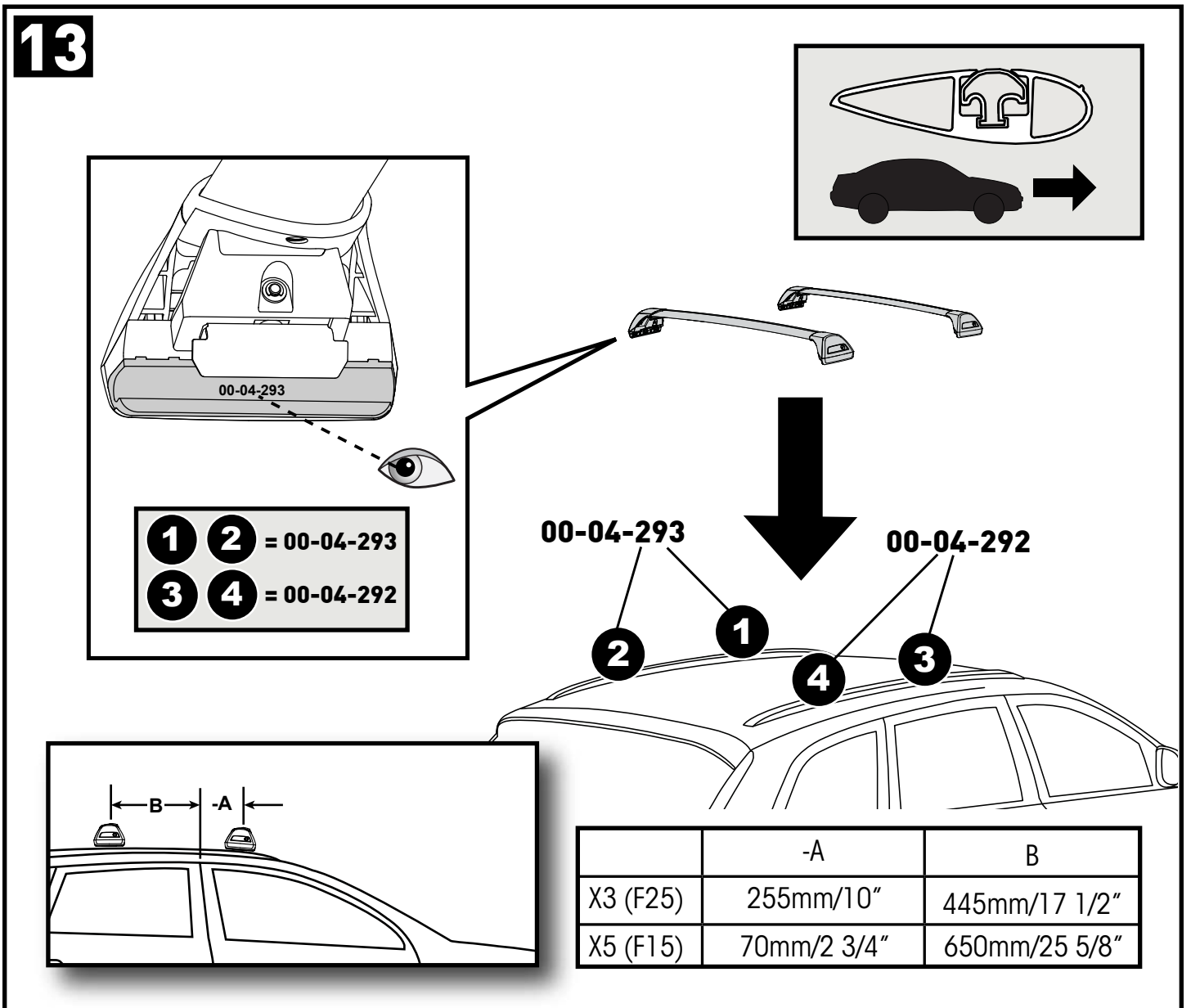
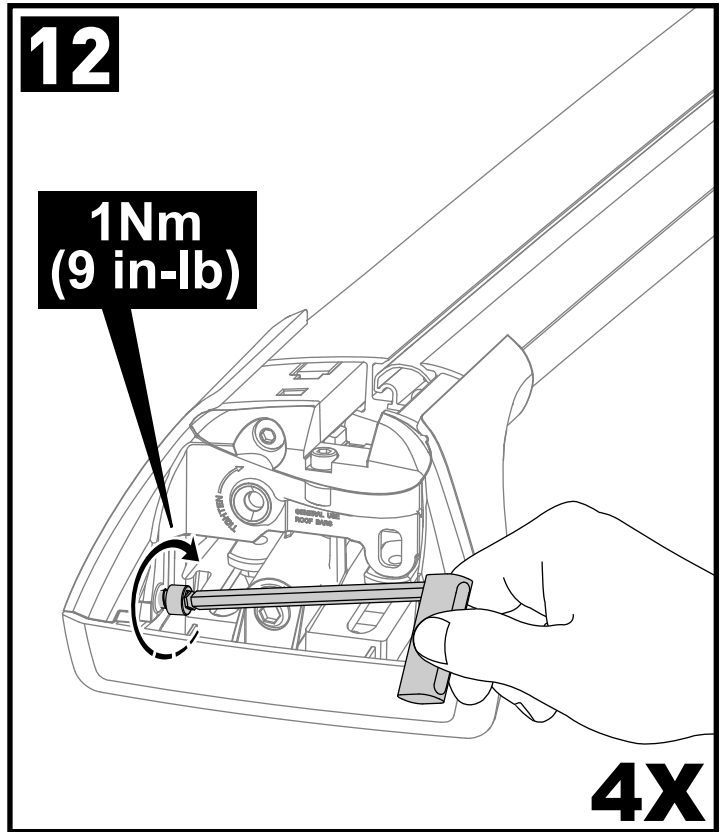
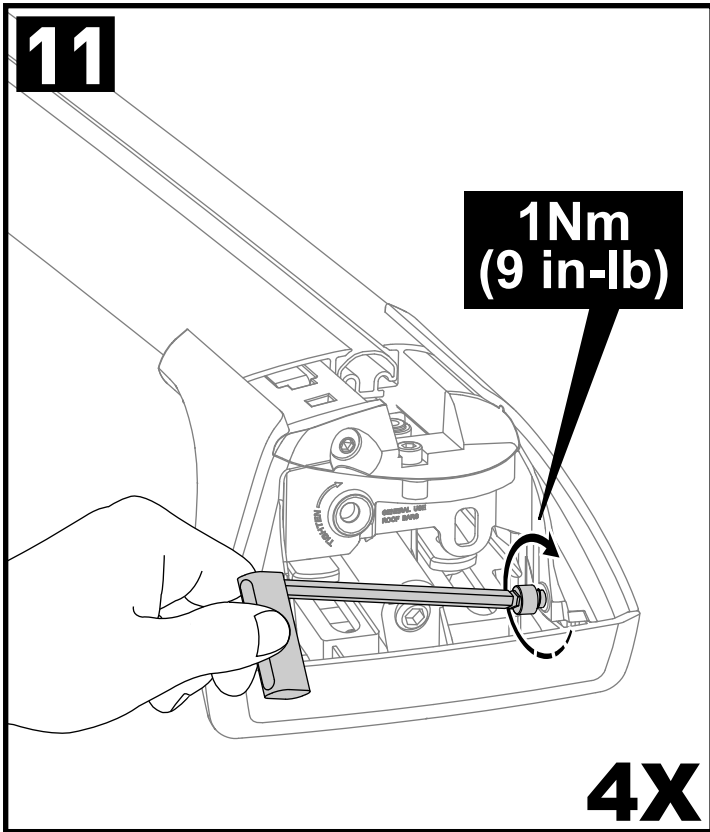
2X

2X

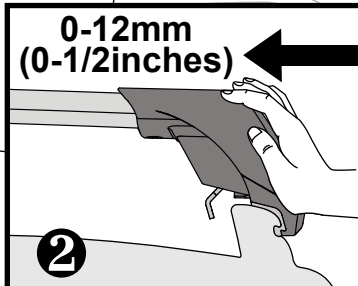
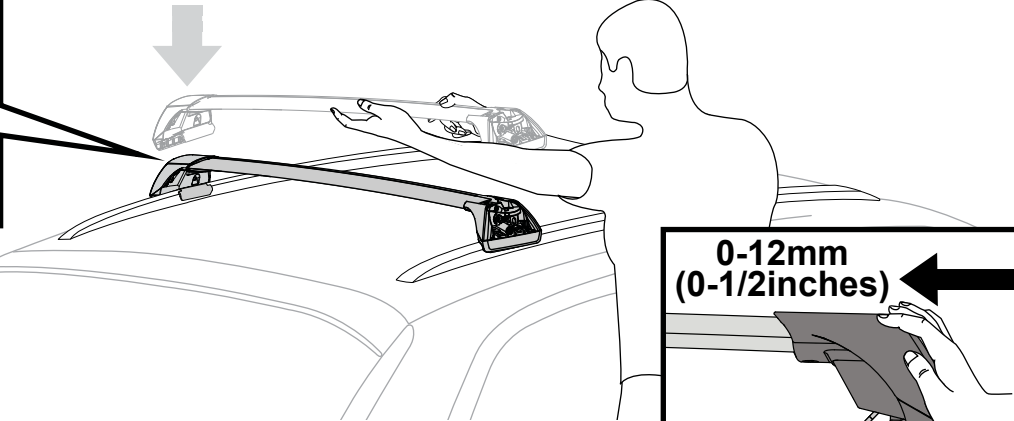
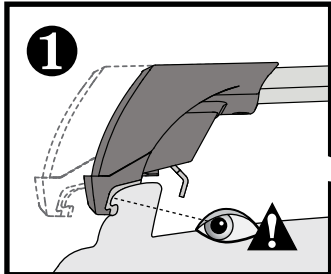
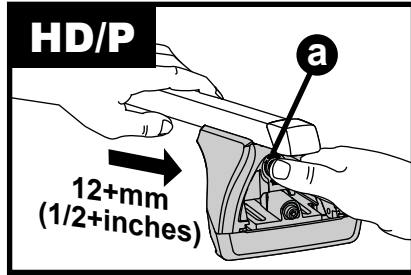
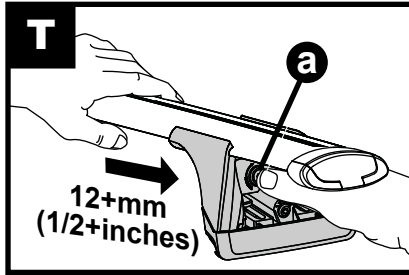
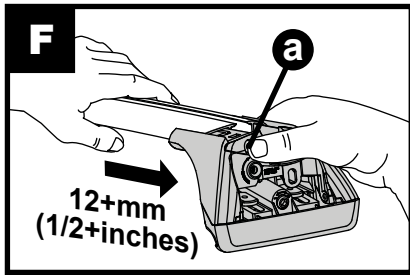






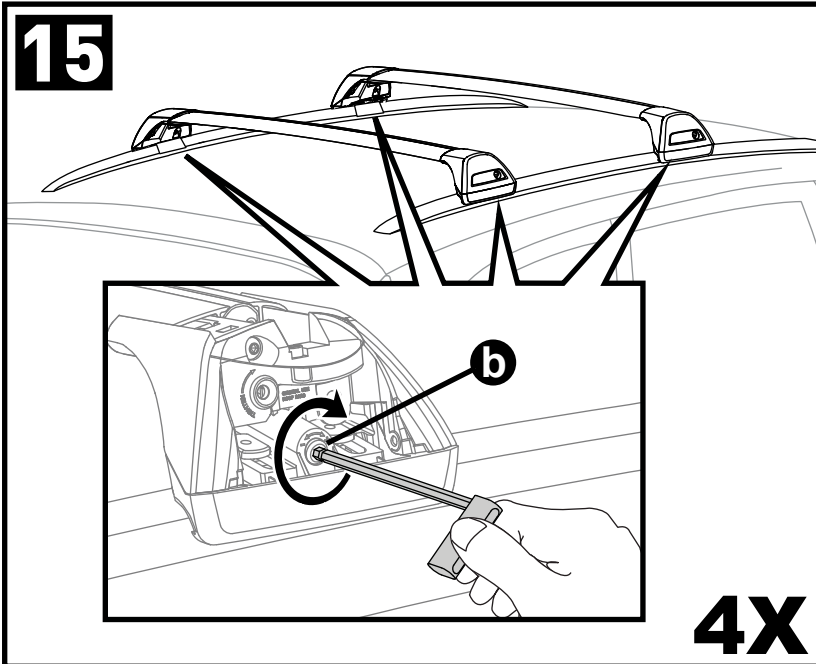


14

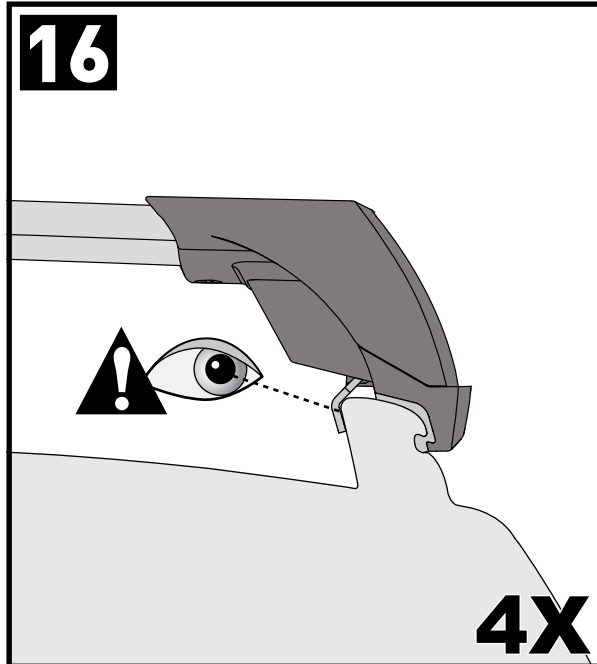


2X

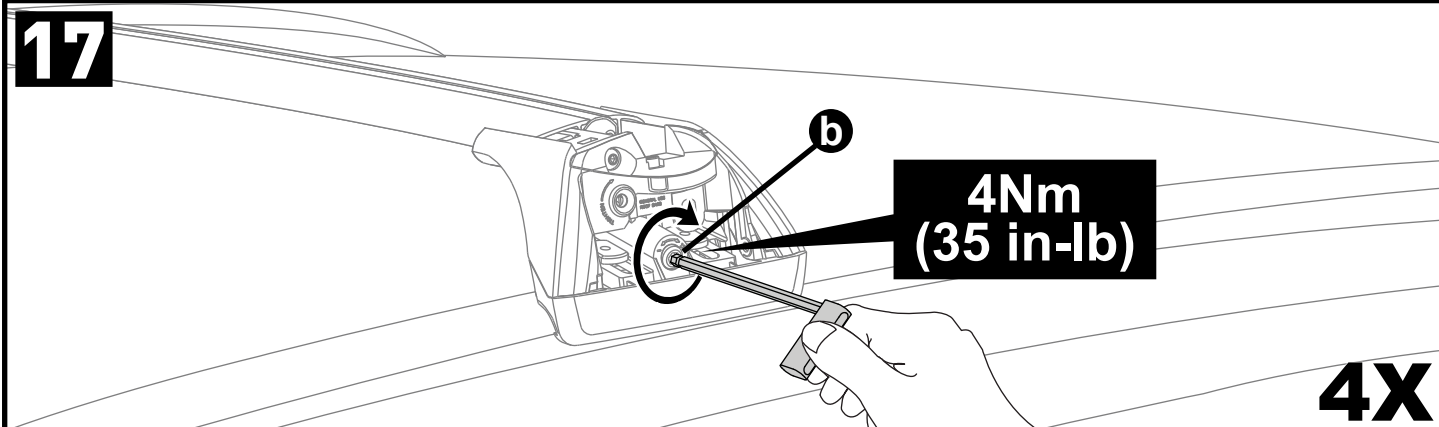
15



16



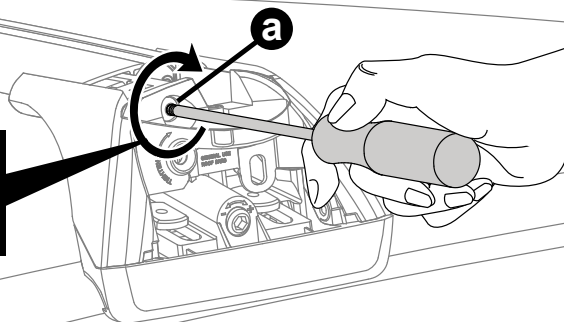
17



18



3Nm
(27 in-lb)



4X

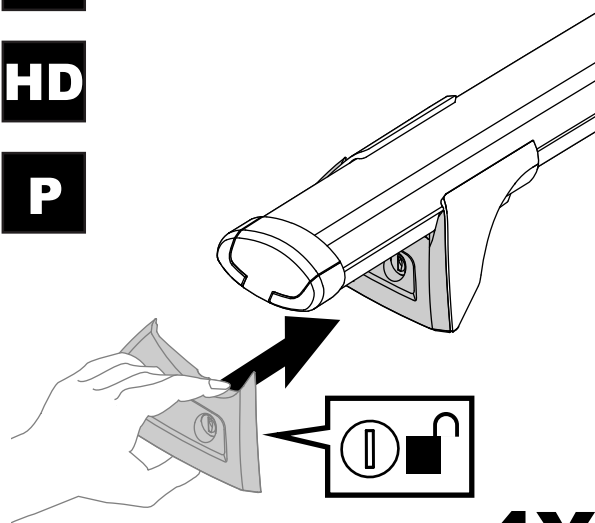
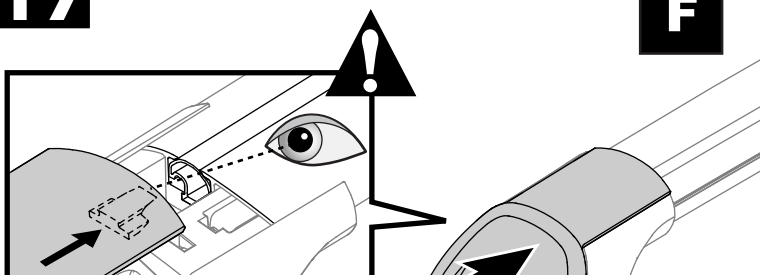
19

F

T

HD

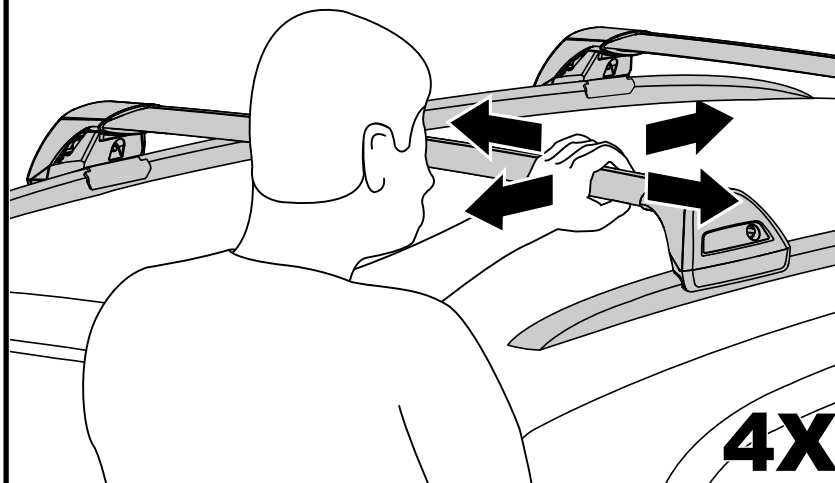
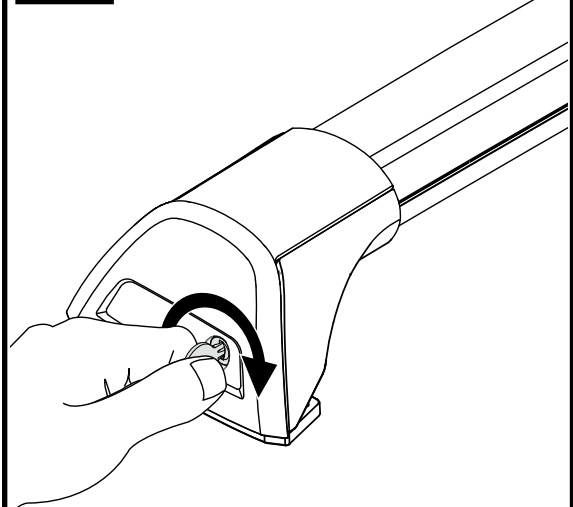
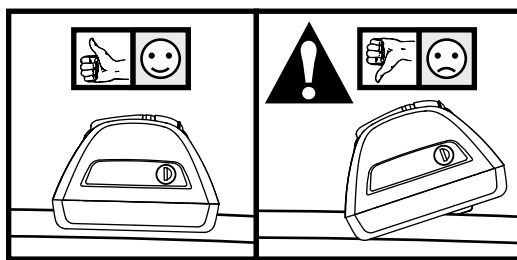
P



4X

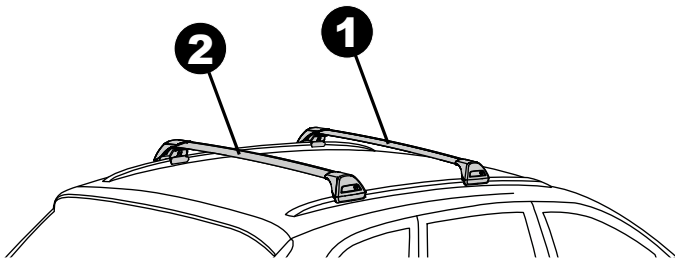
20

21



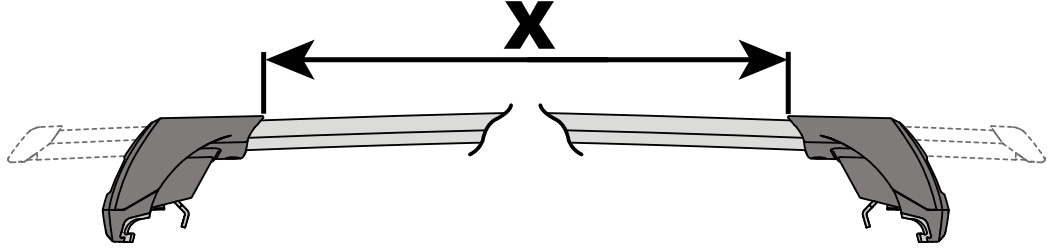
4X

4X



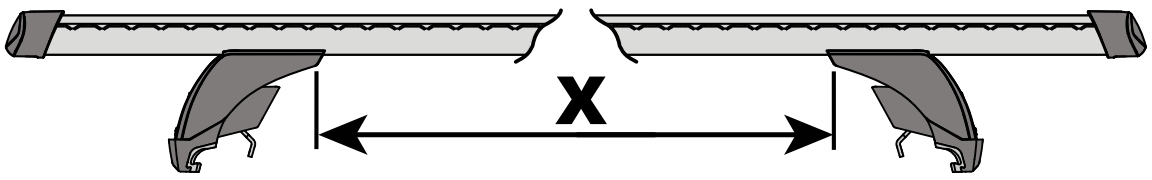
K670	X 1	X 2
X3	913mm/36"	897mm/35 3/8"
X5	980mm/38 5/8"	950mm/37 3/8"

F

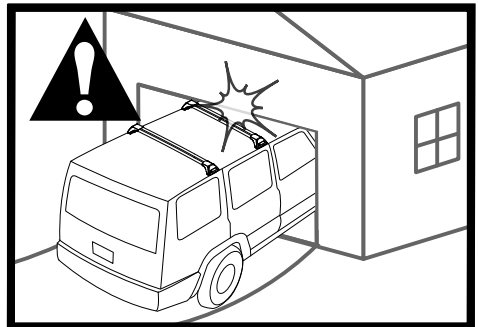
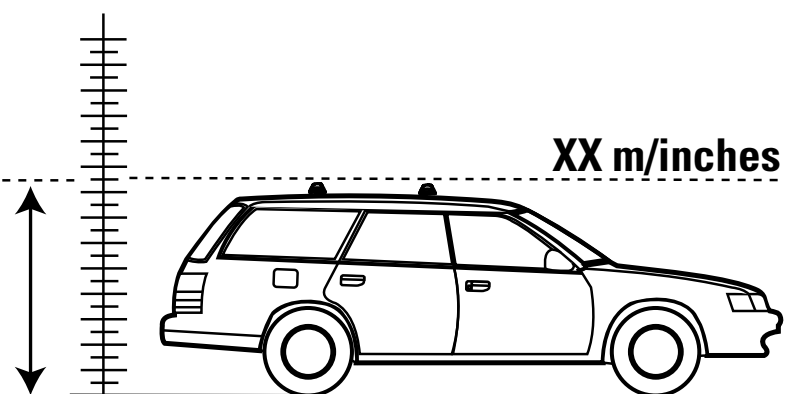
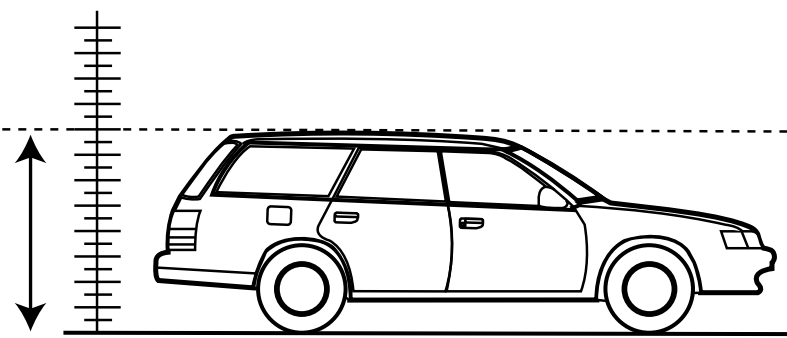
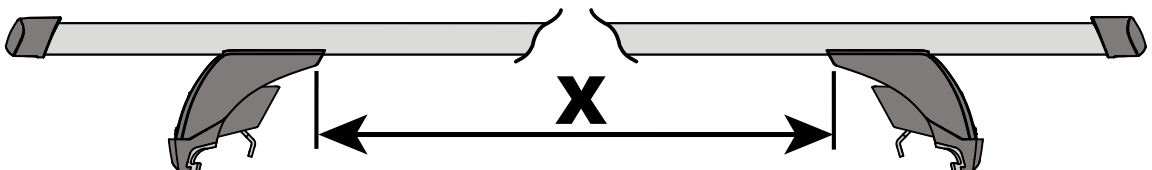


T

HD



P



**Record Height Here.
 Noter la hauteur ici.
 Escriba aquí la altura.
 Hier Größe eintragen.
 Annotate qui l'altezza.**